

PLEASE CHECK WWW.MOLEX.COM FOR LATEST PART INFORMATION

Part Number: **0500398100**
Status: **Active**
Overview: Mizu-P25™ Miniature Waterproof Connectors
Description: 2.50mm Pitch Mizu-P25™ Crimp Terminal, 50039, Bag

Documents:

Drawing (PDF)	Application Specification AS-50038-001-001 (PDF)
Product Specification PS-52048-001 (PDF)	Packaging Specification 500390001-P00 (PDF)
Product Specification PS-52117-008-001 (PDF)	RoHS Certificate of Compliance (PDF)

General

Product Family	Crimp Terminals
Series	<u>50039</u>
Application	Signal
Crimp Quality Equipment	Yes
Overview	<u>Mizu-P25™ Miniature Waterproof Connectors</u>
Packaging Alternative	<u>50039-8000 (Reel)</u>
Product Name	Mizu-P25™ Waterproof
UPC	800754368698

Physical

Gender	Female
Material - Metal	Phosphor Bronze
Material - Plating Mating	Tin
Material - Plating Termination	Tin
Net Weight	60.500/mg
Packaging Type	Bag
Plating min - Mating	0.889µm
Plating min - Termination	0.914µm
Termination Interface: Style	Crimp or Compression
Wire Insulation Diameter	1.80-1.90mm
Wire Size AWG	20, 22
Wire Size mm²	N/A

Electrical

Voltage - Maximum	250V
-------------------	------

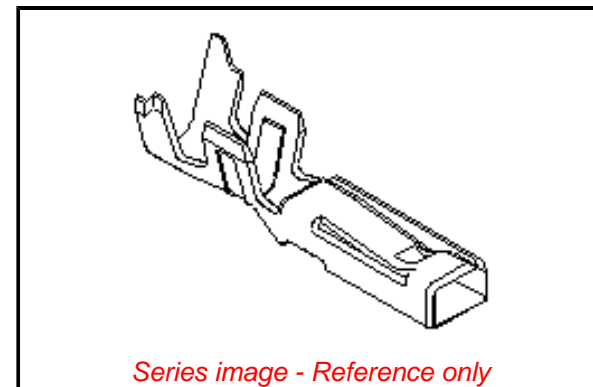
Solder Process Data

Lead-free Process Capability	N/A
------------------------------	-----

Material Info

Reference - Drawing Numbers

Application Specification	AS-50038-001-001
Packaging Specification	500390001-P00
Product Specification	PS-52048-001, PS-52117-008-001
Sales Drawing	SD-50039-001



EU ELV

Compliant

EU RoHS

Compliant

REACH SVHC

Not Contained Per
-ED/01/2017 (12
January 2017)

Halogen-Free

Status

Low-Halogen

Need more information on product environmental compliance?

Email productcompliance@molex.com
Please visit the [Contact Us](#) section for any non-product compliance questions.

China ROHS	Not Relevant
ELV	Compliant
RoHS Phthalates	Not Contained

Search Parts in this Series

50039 Series

Use With

Mizu-P25™ 2.50mm Pitch Waterproof
Receptacle Housing 52117