

**PLEASE CHECK WWW.MOLEX.COM FOR LATEST PART INFORMATION**

**Part Number:** [0745400401](#)  
**Status:** **Active**  
**Overview:** iPass™ Connector System  
**Description:** PCIe\* Guide Frame, x4, for PCIe\* Add-In Cards, 1° Cage Angle, With Blocking Key

**Documents:**

[3D Model](#) [RoHS Certificate of Compliance \(PDF\)](#)  
[Drawing \(PDF\)](#)

**General**

Product Family	EMI Cages
Series	<a href="#">74540</a>
Application	Module-to-Board
Comments	For PCIe* Add-In Cards 1° Cage Angle
Component Type	Guide Frame
Overview	<u>iPass™ Connector System</u>
Product Name	PCI Express†
UPC	822350705080

**Physical**

EMI Panel / Bezel Mount	Behind the Bezel
Light Pipes per Port	0
Material - Metal	Zinc Die Cast
Net Weight	13.700/g
Orientation	Horizontal
Packaging Type	Tray
Port Configuration	1x1
Rear Legs	0
Termination Interface: Style	N/A
Thermal Height	N/A
Thermal Solutions	Closed Top

**Solder Process Data**

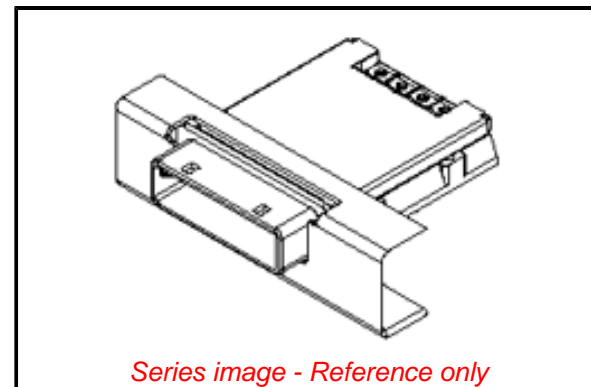
Lead-freeProcess Capability	N/A
-----------------------------	-----

**Material Info**

**Reference - Drawing Numbers**

Sales Drawing	SD-74540-401
---------------	--------------

\*PCIe is a registered trademark of PCI-SIG®. †PCI Express is a registered trademark of PCI-SIG®.



**EU ELV**

**Compliant**

**EU RoHS**

**Compliant**

**REACH SVHC**

Not Contained Per -  
ED/30/2017 (7 July  
2017)

**Halogen-Free**

**Status**

**Low-Halogen**

**Need more information on product  
environmental compliance?**

Email [productcompliance@molex.com](mailto:productcompliance@molex.com)  
Please visit the [Contact Us](#) section for any  
non-product compliance questions.

China ROHS	Green Image
ELV	Compliant
RoHS Phthalates	Not Contained

**Search Parts in this Series**

[74540](#) Series

**Mates With**

[74546](#) iPass™ Cable Assembly