

PLEASE CHECK WWW.MOLEX.COM FOR LATEST PART INFORMATION

Part Number: [0190050009](#)
Status: **Active**
Overview: [Standard Quick-Disconnect Terminals](#)
Description: [InsulKrimp™ Fully Insulated Coupler, Female, for 14-16 AWG Wire, Mylar Tape](#)

Documents:

3D Model	Product Specification PS-19902-011-001 (PDF)
Drawing (PDF)	Product Specification PS-19902-015-001 (PDF)
Product Specification PS-19902-008-001 (PDF)	RoHS Certificate of Compliance (PDF)

Agency Certification

CSA	LR18689
UL	E79133

General

Product Family	Quick Disconnects
Series	19005
Crimp Quality Equipment	Yes
Insulated	Fully
Overview	Standard Quick-Disconnect Terminals
Product Name	InsulKrimp™
Type	Quick Disconnect
UPC	800753030541

Physical

Barrel Type	Closed
Color - Resin	Blue
Flammability	94V-2
Gender	Female
Glow-Wire Compliant	Yes
Insulation	Nylon (PA)
Lock to Mating Part	None
Material - Metal	Brass
Material - Plating Mating	Tin
Material - Plating Termination	Tin
Material - Resin	Nylon
Net Weight	1.359/g
Orientation	Straight
Packaging Type	Adhesive Tape on Reel
Polarized to Mating Part	No
Tab Thickness	0.81mm
Tab Width	6.35mm
Temperature Range - Operating	-65°C to +105°C
Wire Insulation Diameter	4.19mm max.
Wire Size AWG	14, 16
Wire Size mm²	1.30-2.00

Electrical

Voltage - Maximum	600V
-------------------	------

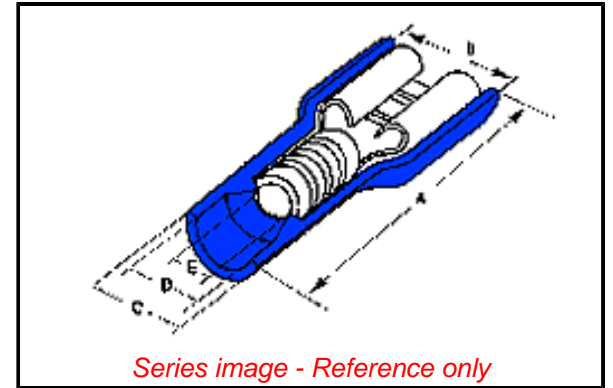
Solder Process Data

Lead-free Process Capability	N/A
------------------------------	-----

Material Info

Engineering Number	BB-2263T
--------------------	----------

Reference - Drawing Numbers



EU ELV

Not Relevant

EU RoHS

Compliant

REACH SVHC

Not Contained Per -
ED/30/2017 (7 July
2017)

Halogen-Free

Status

Low-Halogen

Need more information on product environmental compliance?

Email productcompliance@molex.com
Please visit the [Contact Us](#) section for any non-product compliance questions.

China ROHS

ELV

RoHS Phthalates

Green Image

Not Relevant

Not Contained

Search Parts in this Series

[19005 Series](#)

Use With

[19004-0005](#) , [19004-0008](#)

Product Specification

Sales Drawing

PS-19902-008-001, PS-19902-011-001,
PS-19902-015-001
SD-19005-001

This document was generated on 08/29/2017

PLEASE CHECK WWW.MOLEX.COM FOR LATEST PART INFORMATION