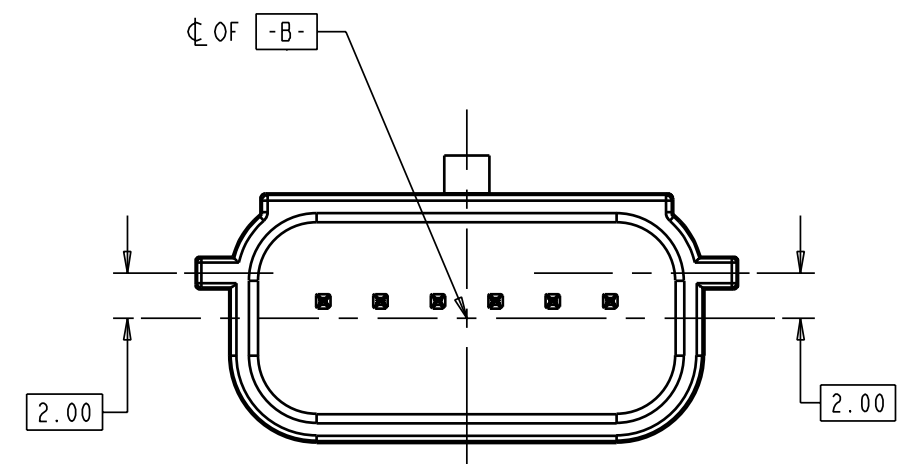
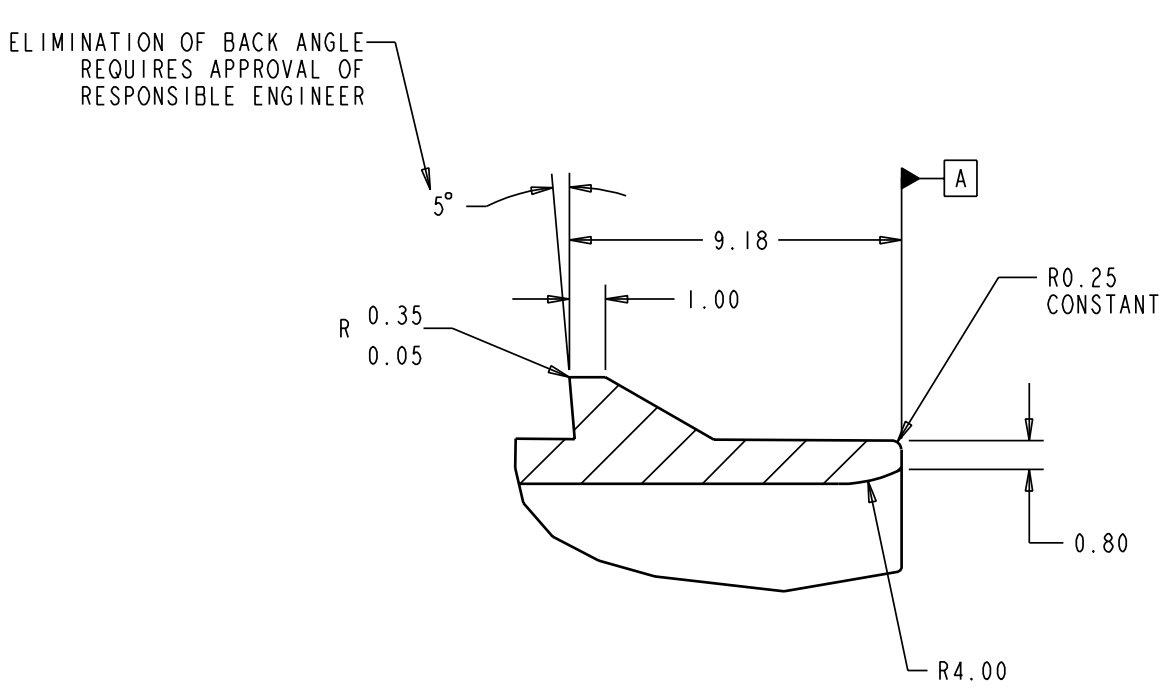


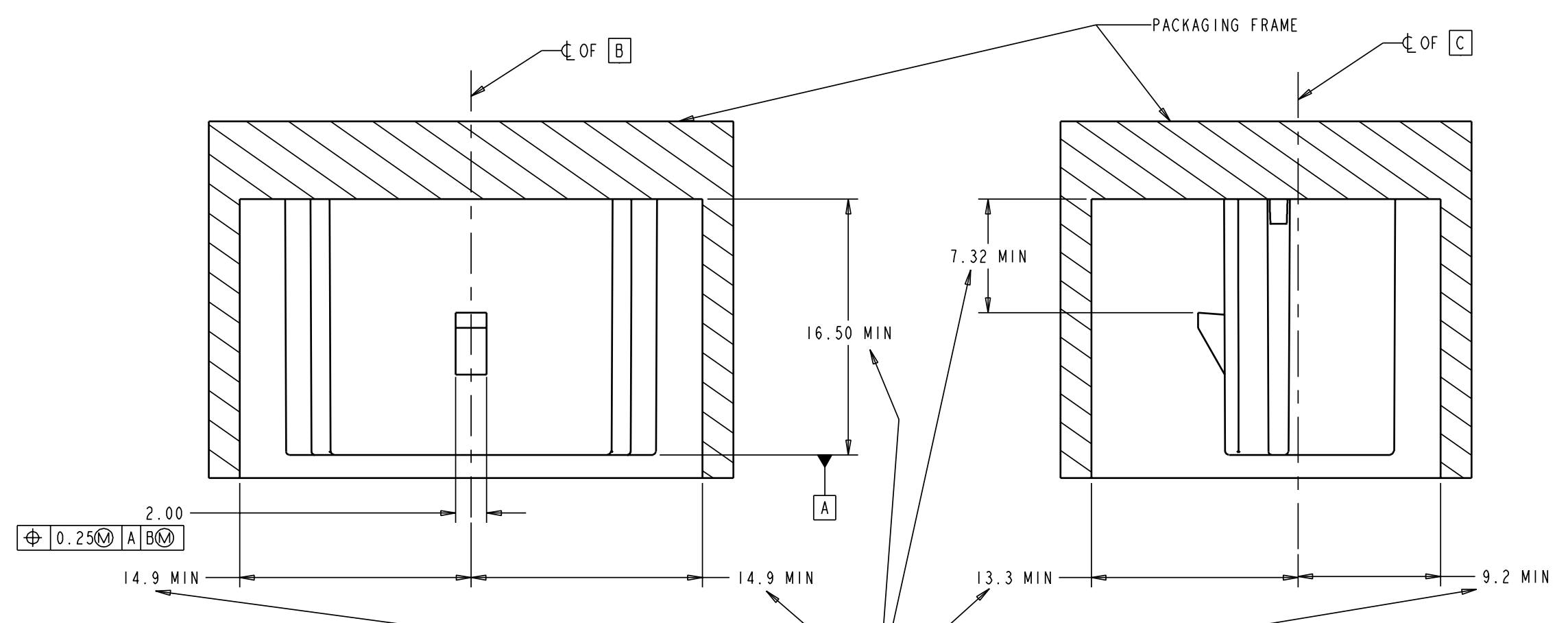
ISOMETRIC VIEW
SCALE 1:1



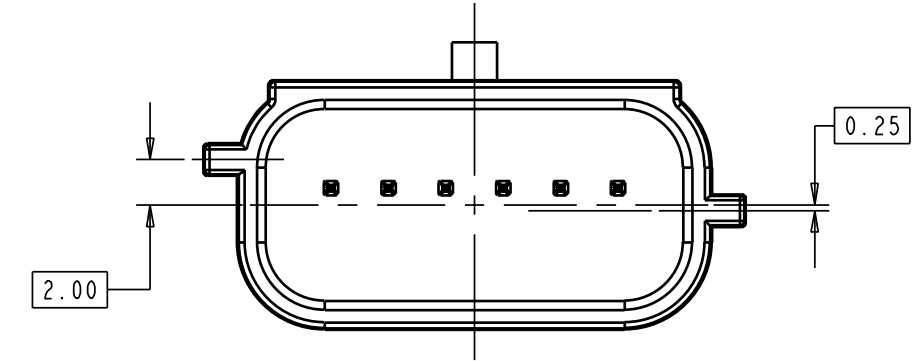
064-S-006-1-A02
(OPTION A)



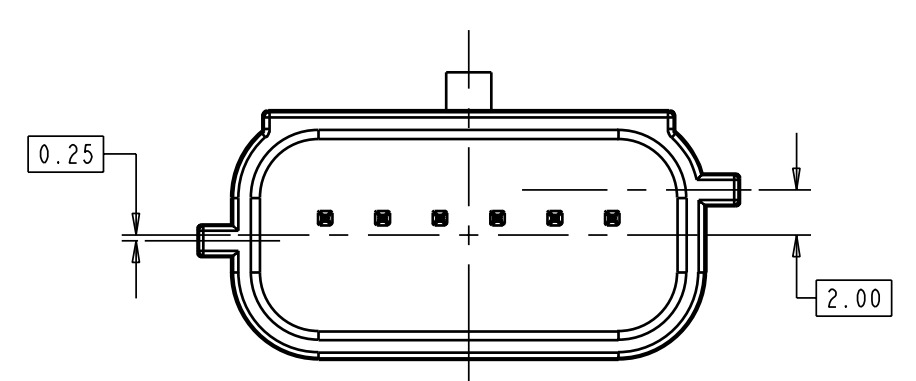
DETAIL A
SCALE 8:1



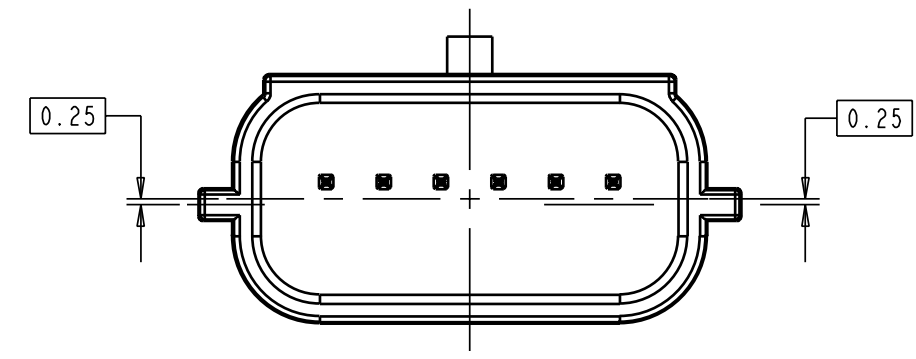
IF HEADER IS RECESSED INTO A POCKET, THESE DIMENSIONS REPRESENT THE CLEARANCE REQUIRED FOR THE MATING CONNECTOR SHROUD



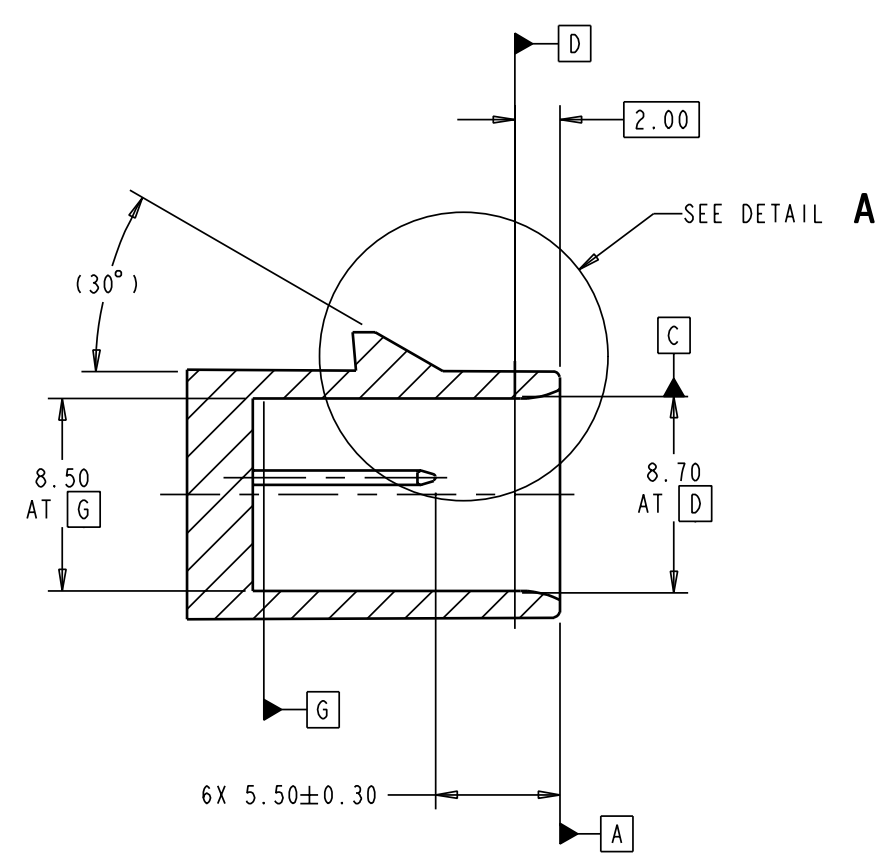
064-S-006-1-B02
(OPTION B)



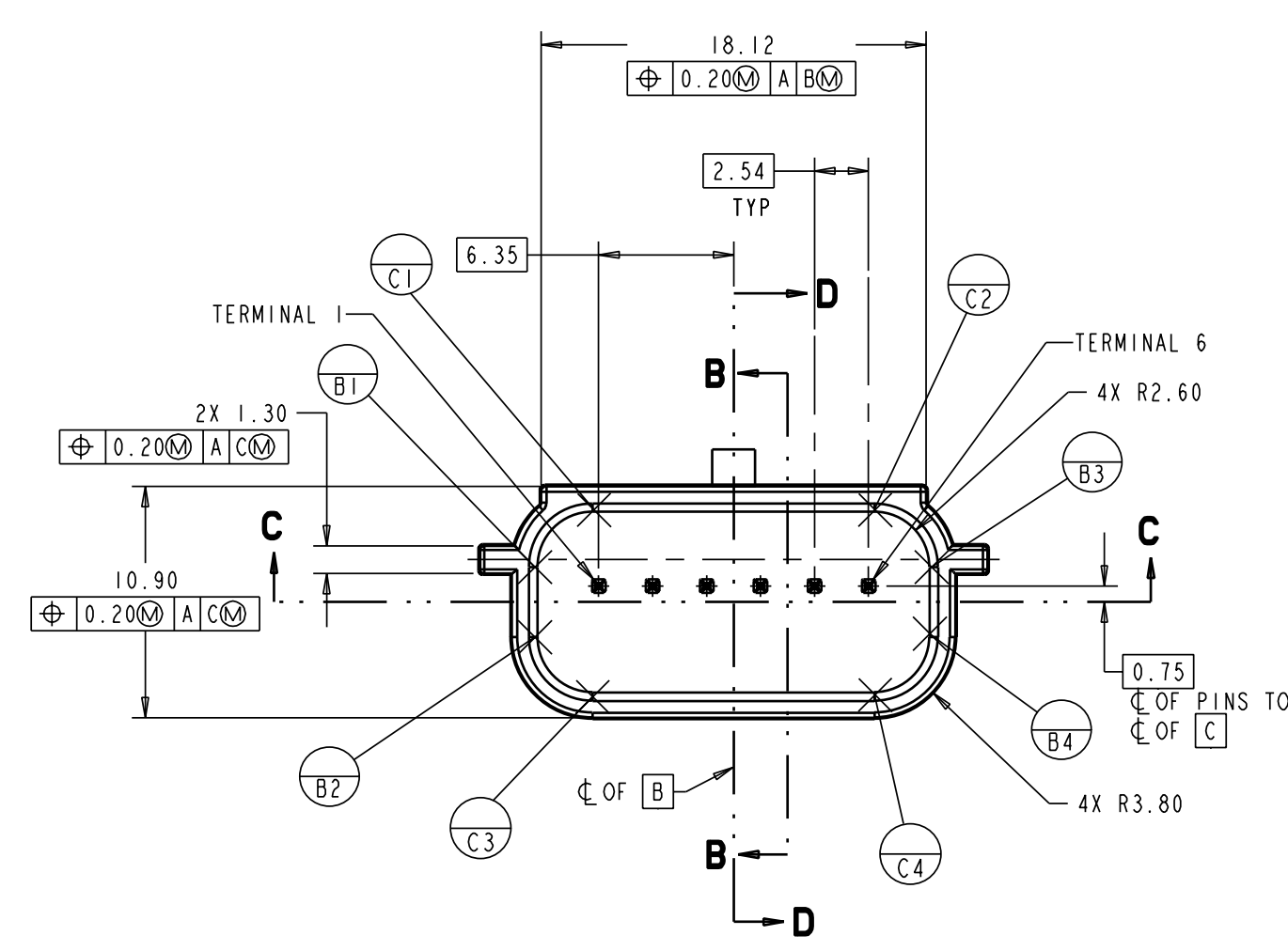
064-S-006-1-C02
(OPTION C)



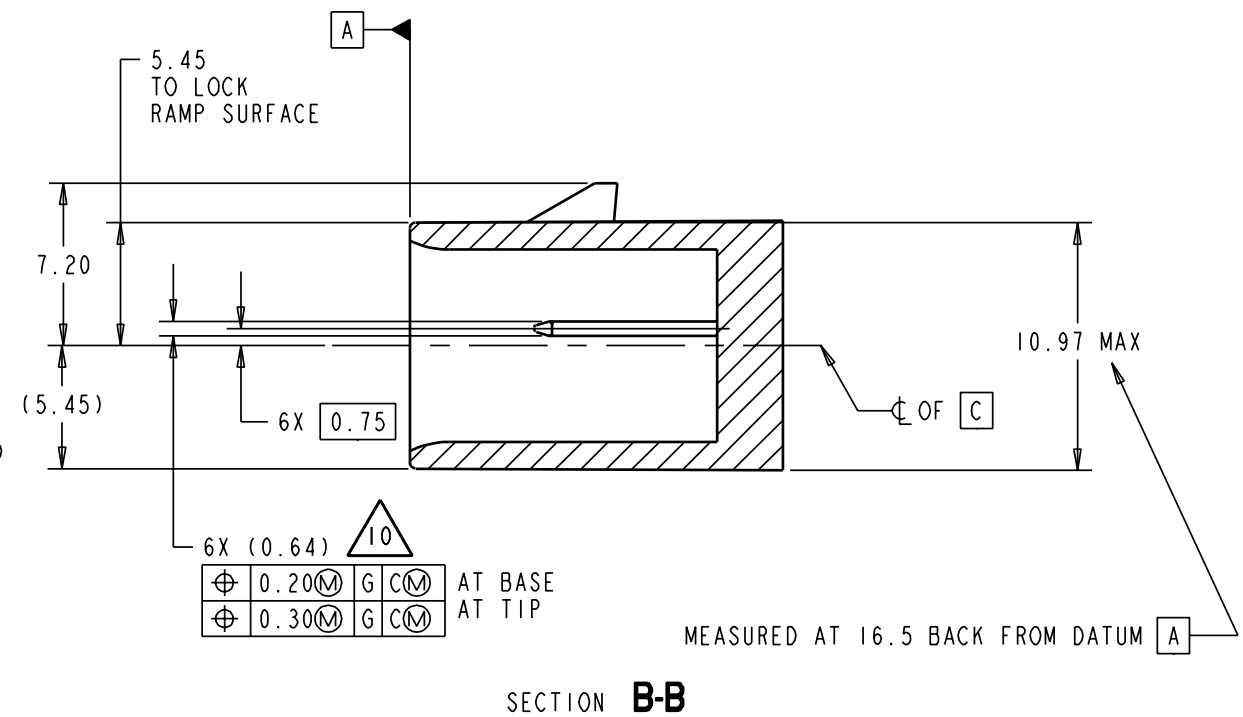
064-S-006-1-D02
(OPTION D)



SECTION D-D



SECTION C-C



SECTION B-B

MINIMUM CLEARANCE REQUIRED ON OUTSIDE SURFACE OF HEADER FOR MATING CONNECTOR SHROUD

CONSTRUCTION BELOW THIS SURFACE IS NOT CONTROLLED BY EWCAP. NO PLASTIC FEATURES MAY EXTEND ABOVE THIS SURFACE

DIMENSION MUST BE FREE OF SURFACE DEFECTS FOR SEALING ALL AROUND

NOTES: UNLESS OTHERWISE SPECIFIED

1. ALL DIMENSIONS SHOWN IN MILLIMETERS.
2. DIMENSIONING AND TOLERANCING PER ASME Y14.5M-1994.
3. RADII ON ALL CORNERS SHOWN SHARP OR ALL UNSPECIFIED RADII 0.25 EXCEPT AS NOTED.
4. REFER TO "SAE/USCAR-12 CONNECTOR DESIGN GUIDELINES FOR ADDITIONAL INFORMATION."
5. A FULL SHROUD ON THE MATING CONNECTOR IS REQUIRED TO INSURE THAT THE CONNECTOR-HEADER POLARIZATION FEATURES (OPTIONS A THROUGH D) WILL FUNCTION. THE FULL SHROUD ALSO PREVENTS SCOOP DAMAGE TO THE HEADER PINS. REFER TO "SAE/USCAR-12 CONNECTOR DESIGN GUIDELINES" FOR ADDITIONAL INFORMATION.
6. RECOMMENDED COLORS FOR POLARIZATION - DEVIATION REQUIRES APPROVAL OF AUTHORIZED PERSON.
7. 0.25 DEGREE DRAFT ON INSIDE WALLS STARTING AT DATUM G.
8. SECTION LINES ARE COMMON TO ALL OPTIONS.
9. DIMENSIONS IN () ARE FOR REFERENCE.
10. FOR PIN GEOMETRIC AND PLATING REQUIREMENTS, REFER TO EWCAP DWG. NO. EWCAP-001, DETAIL 064-T001.

| | | |
|-----------------|--------|------------------------|
| 064-S-006-1-D02 | D | GREEN |
| 064-S-006-1-C02 | C | BROWN |
| 064-S-006-1-B02 | B | GRAY |
| 064-S-006-1-A02 | A | BLACK |
| EWCAP P/N | OPTION | MATING CONNECTOR COLOR |

| | | | | | |
|-----|---|--|----------|-----|-----|
| 69 | B | ADDED 23.87 IN SECTION C-C ADDED 24.01 IN SECTION C-C | 03-22-07 | TS | SV |
| A | | INITIAL RELEASE | 09-26-03 | DG | RC |
| LET | | REVISION RECORD | DATE | DWN | CHK |

| | | | | | |
|---|-----------------------------------|----------------------|------------------------|------------------------|--------------|
| TOLERANCES (UNLESS OTHERWISE SPECIFIED) | | | | THIRD ANGLE PROJECTION | |
| DIMENSIONS ARE IN MILLIMETERS | | | | ANGLES ±3° | |
| .X ±0.2 | | | | .XX ±0.10 | |
| SCALE | 8 - 1 | DRAWN BY | A. BUTCHER | CHECKED BY | D. GRIFFITHS |
| TITLE | DIRECT CONNECT INTERFACE | | | | |
| | 6 WAY (1 X 6) 0.64 mm SEALED MALE | | | | |
| SHEET | 1 OF 1 | DRAWING NUMBER | 064-S-006-1-202 | SIZE | E |
| | | DO NOT SCALE DRAWING | COMPUTER AIDED DRAWING | REVISION LEVEL | B |

