

**PLEASE CHECK WWW.MOLEX.COM FOR LATEST PART INFORMATION**

**Part Number:** **0908163006**  
**Status:** **Active**  
**Overview:** Picoflex® Ribbon-Cable Connectors  
**Description:** Picoflex® Surface Mount Latched Vertical Header with PCB Pegs, 6 Circuits, PdNi with Gold Flash Plating, Black

**Documents:**

<a href="#">3D Model</a>	<a href="#">Product Specification TS-90816-001-001 (PDF)</a>
<a href="#">Drawing (PDF)</a>	<a href="#">Packaging Specification PK-90816-001-001 (PDF)</a>
<a href="#">Product Specification PS-99020-0011 (PDF)</a>	<a href="#">RoHS Certificate of Compliance (PDF)</a>

**General**

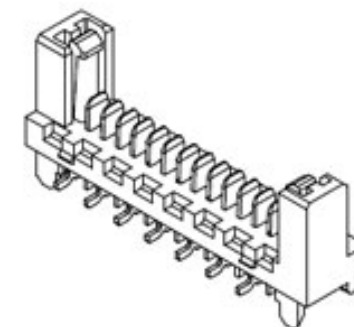
Product Family	PCB Headers
Series	90816
Application	Signal, Wire-to-Board
Overview	<u>Picoflex® Ribbon-Cable Connectors</u>
Product Name	Picoflex®
UPC	883906499266

**Physical**

Breakaway	No
Circuits (Loaded)	6
Circuits (maximum)	6
Color - Resin	Black
Durability (mating cycles max)	5
First Mate / Last Break	No
Glow-Wire Compliant	No
Guide to Mating Part	No
Keying to Mating Part	N/A
Lock to Mating Part	Yes
Material - Metal	Brass
Material - Plating Mating	Gold over Palladium Nickel
Material - Plating Termination	Nickel
Material - Resin	Nylon
Net Weight	0.340/g
Number of Rows	1
Orientation	Vertical
PC Tail Length	1.05mm
PCB Locator	Yes
PCB Retention	None
PCB Thickness - Recommended	1.60mm
Packaging Type	Tube
Pitch - Mating Interface	1.27mm
Pitch - Termination Interface	1.27mm
Plating min - Mating	0.762µm
Polarized to Mating Part	Yes
Polarized to PCB	Yes
Shrouded	Partial
Stackable	No
Surface Mount Compatible (SMC)	Yes
Temperature Range - Operating	-40°C to +105°C
Termination Interface: Style	Surface Mount

**Electrical**

Current - Maximum per Contact	1.2A
Voltage - Maximum	250V



*Series image - Reference only*

**EU ELV**

**Not Relevant**

**EU RoHS**

**Compliant**

**China RoHS**

**REACH SVHC**

Not Contained Per -  
ED/30/2017 (7 July  
2017)

**Halogen-Free**

**Status**

**Low-Halogen**

**Need more information on product environmental compliance?**

Email [productcompliance@molex.com](mailto:productcompliance@molex.com)  
Please visit the [Contact Us](#) section for any non-product compliance questions.

China ROHS	Green Image
ELV	Not Relevant
RoHS Phthalates	Not Contained

**Search Parts in this Series**

[90816 Series](#)

**Mates With**

[90327 Picoflex® PF-50](#)

**Material Info**

**Reference - Drawing Numbers**

Packaging Specification

Product Specification

Sales Drawing

PK-90816-001-001

PS-99020-0011, TS-90816-001-001

SD-90816-001

This document was generated on 08/04/2017

**PLEASE CHECK [WWW.MOLEX.COM](http://WWW.MOLEX.COM) FOR LATEST PART INFORMATION**