

PLEASE CHECK WWW.MOLEX.COM FOR LATEST PART INFORMATION

Part Number: [0019091099](#)
Status: **Active**
Overview: Standard .093" Pin and Socket Connectors
Description: 2.36mm Diameter Standard .093" Pin and Socket Receptacle Housing with Positive Latch, UL 94V-2, 9 Circuits

Documents:

[3D Model](#) [Product Specification PS-02-09 \(PDF\)](#)
[Drawing \(PDF\)](#) [RoHS Certificate of Compliance \(PDF\)](#)

Agency Certification

CSA LR19980
 UL E29179

General

Product Family Crimp Housings
 Series [3191](#)
 Application Power, Wire-to-Board, Wire-to-Wire
 Comments Polarized to Mating Part
 Overview [Standard .093" Pin and Socket Connectors](#)
 Product Name Standard .093"
 UPC 800753594531

Physical

Breakaway No
 Circuits (maximum) 9
 Circuits Detail 3x3
 Color - Resin Natural
 Flammability 94V-2
 Gender Receptacle
 Glow-Wire Compliant No
 Keying to Mating Part None
 Lock to Mating Part Yes
 Material - Resin Nylon
 Net Weight 6.770/g
 Number of Rows 3
 Packaging Type Bag
 Panel Mount No
 Pitch - Mating Interface 6.70mm
 Polarized to Mating Part Yes
 Stackable No
 Temperature Range - Operating -40°C to +105°C

Electrical

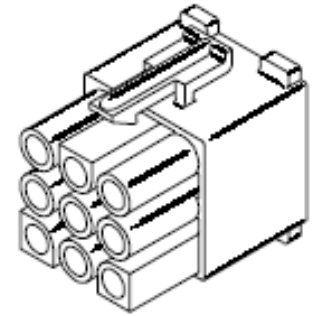
Current - Maximum per Contact 9.0A

Material Info

Engineering Number 3191-9R1

Reference - Drawing Numbers

Product Specification PS-02-09
 Sales Drawing SD-3191-9*



Series image - Reference only

EU ELV

Not Relevant

EU RoHS

Compliant

REACH SVHC

Not Contained Per -
 ED/30/2017 (7 July
 2017)

Halogen-Free

Status

Low-Halogen

**Need more information on product
 environmental compliance?**

Email productcompliance@molex.com
 Please visit the [Contact Us](#) section for any
 non-product compliance questions.

China ROHS	Green Image
ELV	Not Relevant
RoHS Phthalates	Not Contained

Search Parts in this Series

[3191 Series](#)

Mates With

[19-09-2096](#) , [19-09-2097](#) , [19-09-2098](#) ,
[19-09-2099](#) , [5219](#)

Use With

Female Crimp Terminals [1189](#) , [1381](#) , [1433](#)
 , [2151](#) , [2273](#) , [2871](#) , Male Crimp Terminals
[1190](#) , [1380](#) , [1434](#) , [1973](#) , [2870](#) , [4272](#) ,
 Female PC Tail Terminals [2605](#) , Male PC
 Tail Terminals [2606](#)