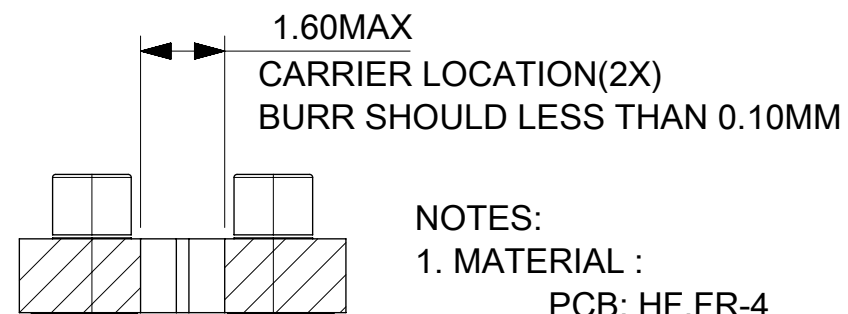
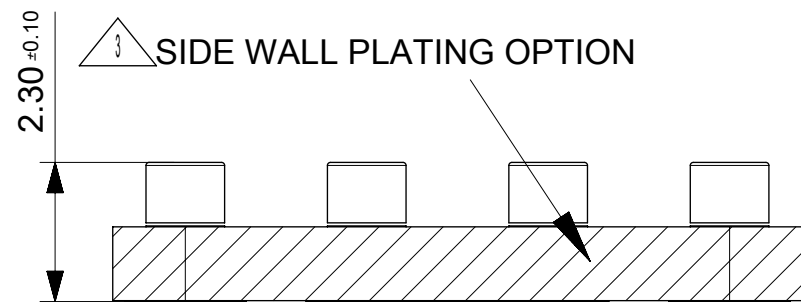


WITHOUT P&P CAP

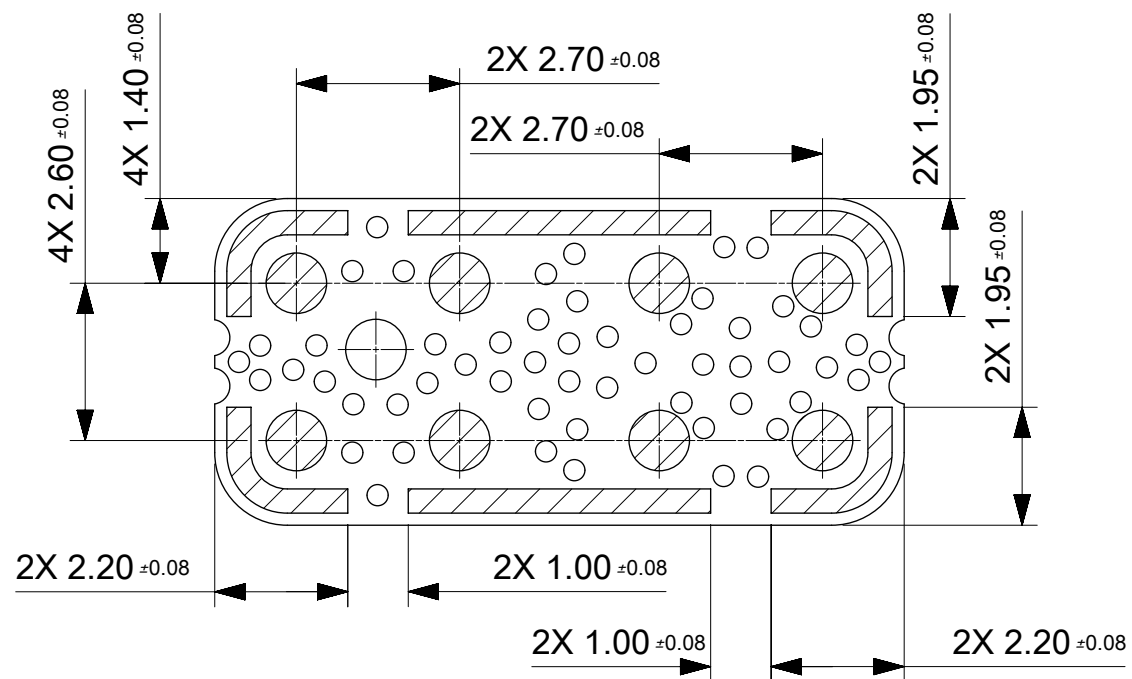
WITH P&P CAP



NOTES:

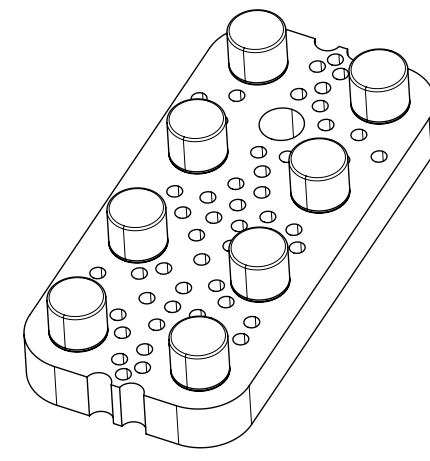
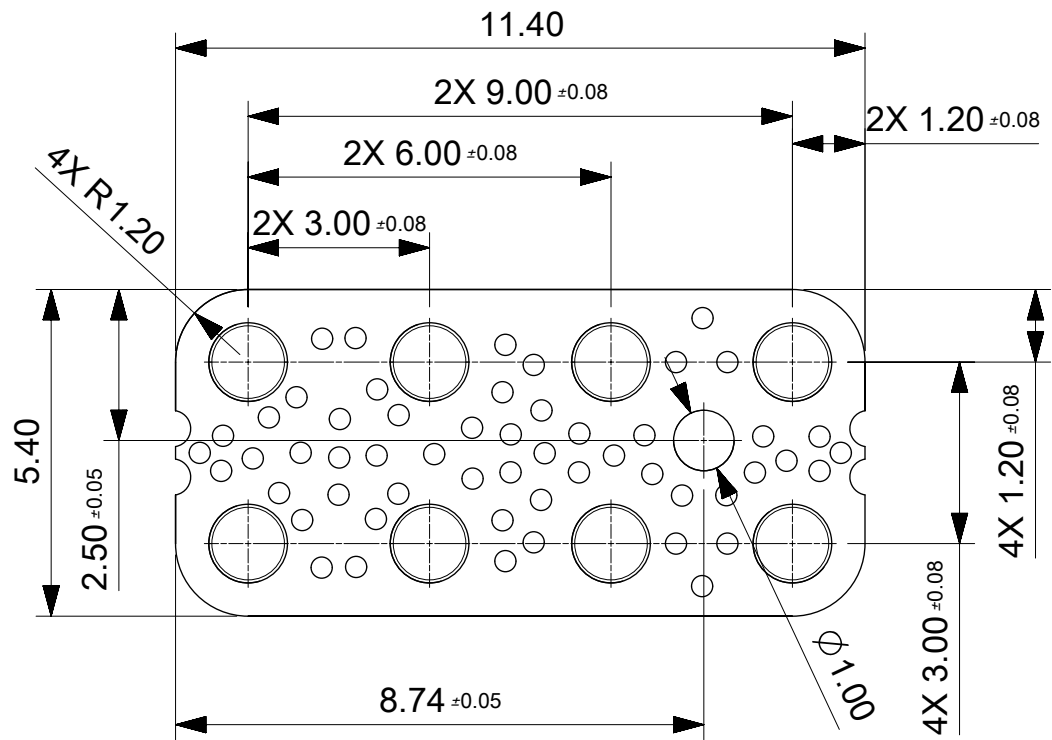
1. MATERIAL :  
PCB: HF,FR-4  
PUCKS : PHOS-BRONZE
2. PEELING FORCE: 20N MIN
3. SIDE WALL HAVE GOLD PLATING AND WITHOUT GOLD PLATING OPTION
4. PACKAGE: TAPE AND REEL, DETAIL SEE DRAWING 2026773000.
5. COMPLIANT TO RoHS DIRECTIVE 2011/65/EU/AND ELV DIRECTIVE 2000/53 EC.

PART NO.	OPTION
2026770001	SIDE WALL WITH GOLD PLATING

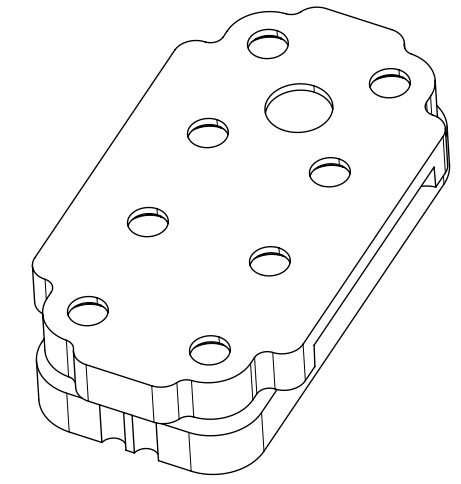


THIS DRAWING CONTAINS INFORMATION THAT IS PROPRIETARY TO MOLEX ELECTRONIC TECHNOLOGIES, LLC AND SHOULD NOT BE USED WITHOUT WRITTEN PERMISSION

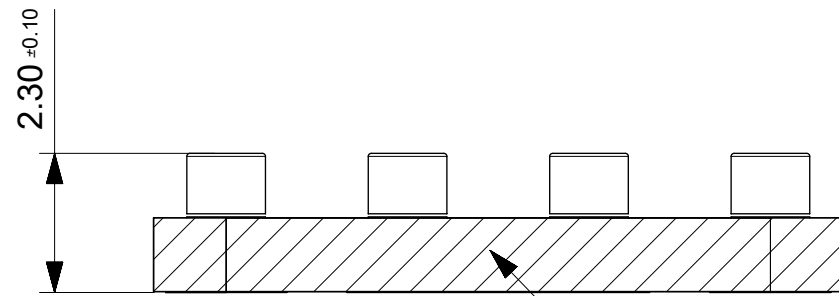
REVISED EC NO: 122622 DRWN: ZQWANG13 CHK'D: ZQWANG13 APP: AYIN	2017/02/20	GENERAL TOLERANCES (UNLESS SPECIFIED)	DIMENSION UNITS	SCALE			
	2017/09/28		MM	8:1			
	2017/10/20		ANGULAR TOL ± °	DRWN BY		DATE	
			4 PLACES ±	YXZHENG		2016/08/15	
	3 PLACES ±	CHK'D BY	DATE	ALBUS INTERPOSER PCBA			
	2 PLACES ± 0.1	AYIN	2016/08/30				
	1 PLACE ± 0.15	APPR BY	DATE				
	0 PLACES ±	AYIN	2016/08/30	PRODUCT CUSTOMER DRAWING			
	DRAFT WHERE APPLICABLE MUST REMAIN WITHIN DIMENSIONS	DRAWING SIZE	THIRD ANGLE PROJECTION	SERIES	MATERIAL NUMBER	CUSTOMER	
		A3		202677	SEE TABLE		
				DOCUMENT NUMBER	DOC TYPE	DOC PART	SHEET NUMBER
				2026770001	PSD	000	1 OF 3



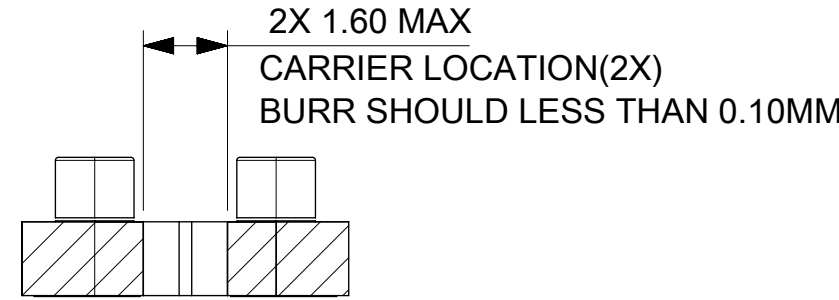
WITHOUT P&P CAP



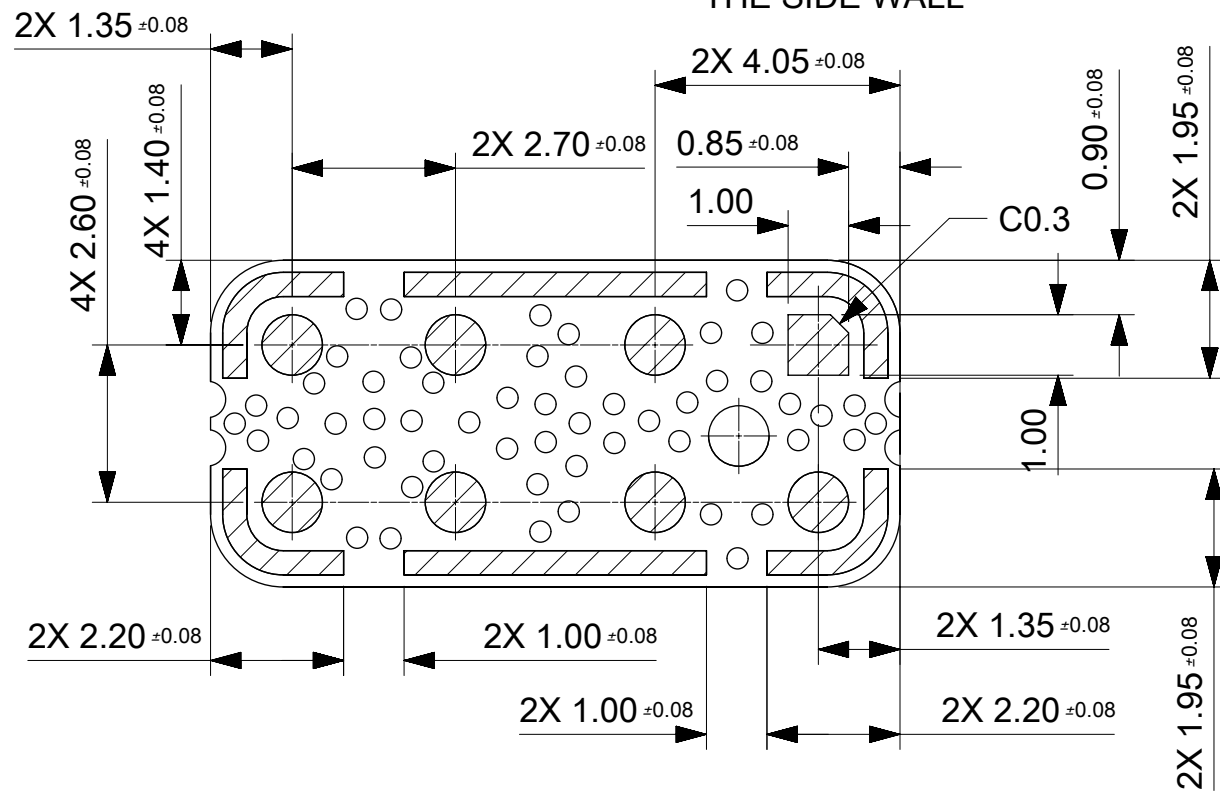
WITH P&P CAP



GOLD PLATING AROUND THE SIDE WALL



2X 1.60 MAX  
CARRIER LOCATION(2X)  
BURR SHOULD LESS THAN 0.10MM

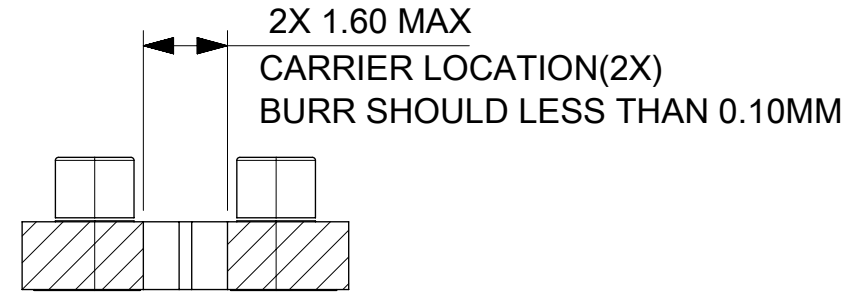
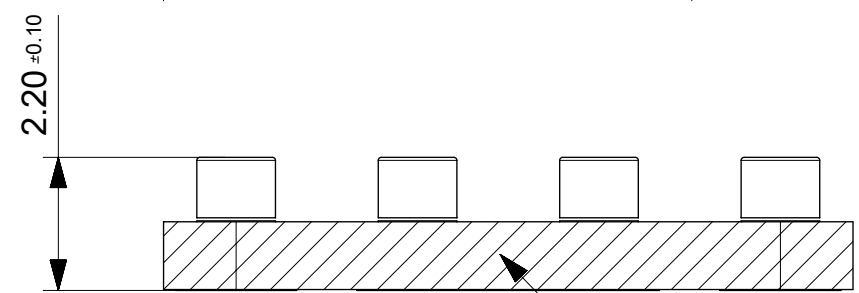
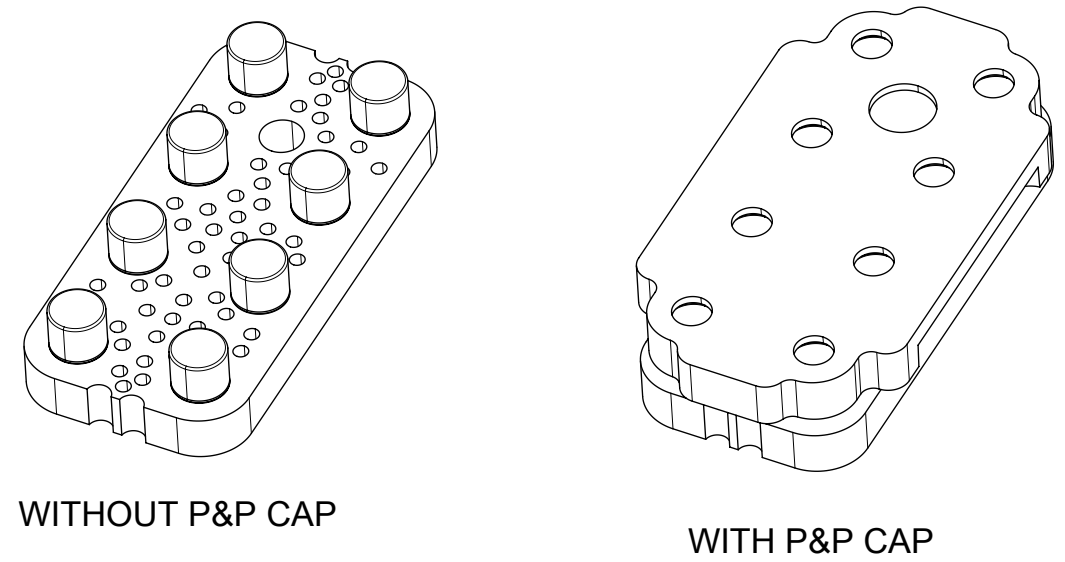
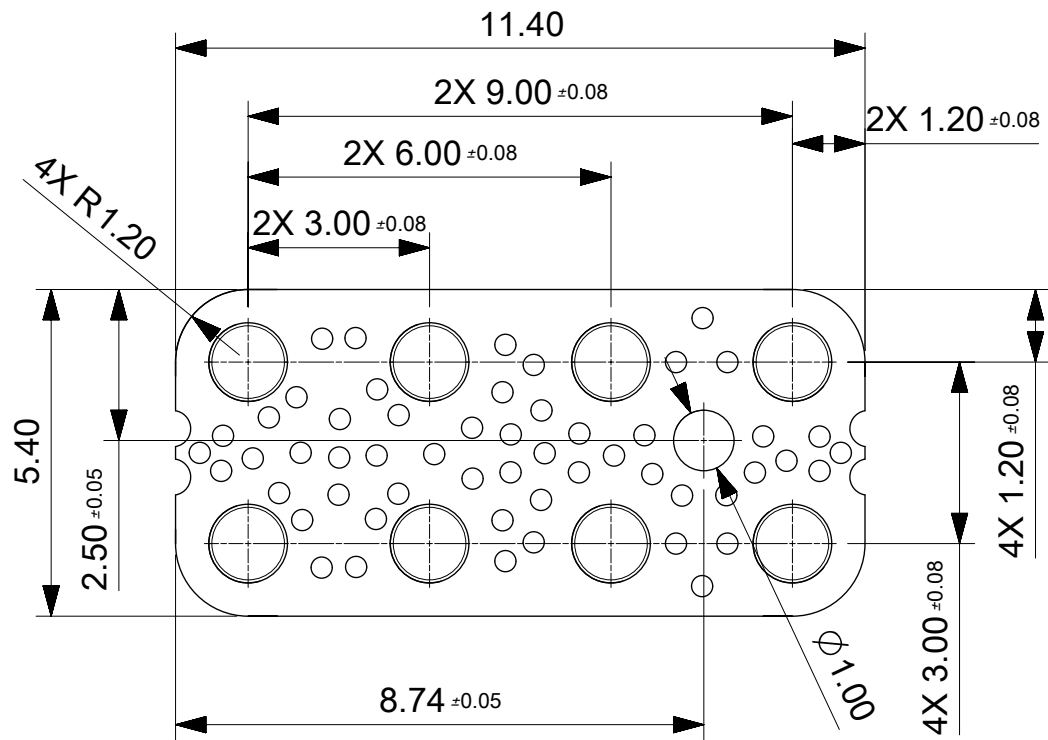


THIS PAGE FOR 202677-0012/2026770022 ONLY

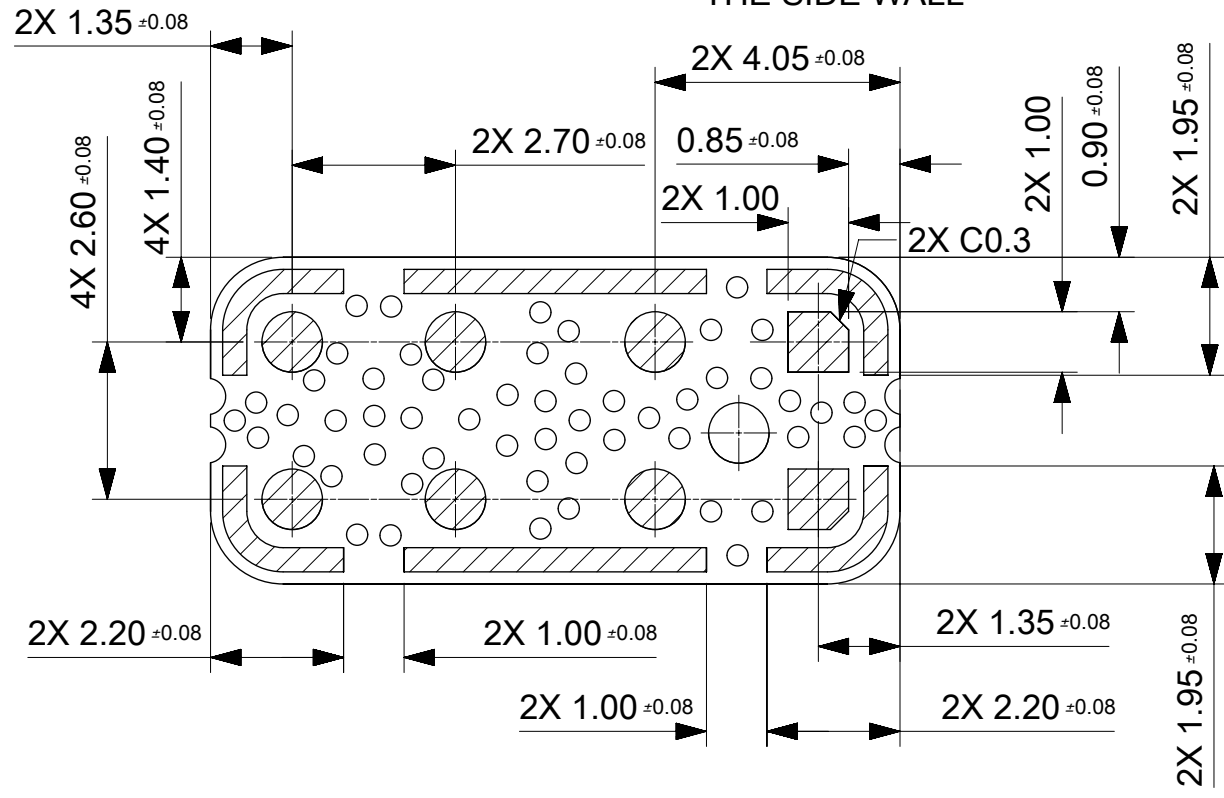
PART NO.	OPTION
2026770012	SIDE WALL WITH GOLD PLATING
2026770022	SIDE WALL W/O GOLD PLATING

THIS DRAWING CONTAINS INFORMATION THAT IS PROPRIETARY TO MOLEX ELECTRONIC TECHNOLOGIES, LLC AND SHOULD NOT BE USED WITHOUT WRITTEN PERMISSION

REVISED	EC NO: 122622	GENERAL TOLERANCES (UNLESS SPECIFIED)	DIMENSION UNITS	SCALE	<b>molex</b> ALBUS INTERPOSER PCBA			
	2017/02/20	4 PLACES ±	MM	8:1				
	DRWN: ZQWANG13	3 PLACES ±	DRWN BY	DATE				
	2017/09/28	2 PLACES ± 0.1	YXZHENG	2016/08/15				
CHK'D: ZQWANG13	1 PLACE ± 0.15	1 PLACE ±	CHK'D BY	DATE	PRODUCT CUSTOMER DRAWING			
2017/10/20	0 PLACES ±	0 PLACES ±	AYIN	2016/08/30				
REV	APPR: AYIN	DRAFT WHERE APPLICABLE MUST REMAIN WITHIN DIMENSIONS	DRAWING SIZE	THIRD ANGLE PROJECTION	SERIES	MATERIAL NUMBER	CUSTOMER	
C			A3		202677	SEE TABLE		
					DOCUMENT NUMBER	DOC TYPE	DOC PART	SHEET NUMBER
					2026770001	PSD	000	2 OF 3



GOLD PLATING AROUND THE SIDE WALL



NEW PART NUMBER PER DESIGN CHANGE AND THIS PAGE FOR 202677-0003 ONLY

PART NO.	OPTION
2026770003	SIDE WALL WITH GOLD PLATING

THIS DRAWING CONTAINS INFORMATION THAT IS PROPRIETARY TO MOLEX ELECTRONIC TECHNOLOGIES, LLC AND SHOULD NOT BE USED WITHOUT WRITTEN PERMISSION

EC NO: 122622 DRWN: ZQWANG13 CHK'D: ZQWANG13 REV APPR: AYIN	2017/02/20 2017/09/28 2017/10/20	GENERAL TOLERANCES (UNLESS SPECIFIED) ANGULAR TOL ± °	DIMENSION UNITS: MM SCALE: 8:1	
	4 PLACES ± 3 PLACES ± 2 PLACES ± 0.1 1 PLACE ± 0.15 0 PLACES ±	DRWN BY: YXZHENG DATE: 2016/08/15	PRODUCT CUSTOMER DRAWING	
	DRAFT WHERE APPLICABLE MUST REMAIN WITHIN DIMENSIONS	CHK'D BY: AYIN DATE: 2016/08/30	SERIES: 202677 MATERIAL NUMBER: SEE TABLE CUSTOMER:	
	DRAWING SIZE: A3 THIRD ANGLE PROJECTION	APPR BY: AYIN DATE: 2016/08/30	DOCUMENT NUMBER: 2026770001 DOC TYPE: PSD DOC PART: 000 SHEET NUMBER: 3 OF 3	
	RELEASE STATUS: P1 RELEASE DATE: 20.10.2017 08:41:25	EC NO: 122622 DRWN: ZQWANG13 CHK'D: ZQWANG13 REV APPR: AYIN	DIMENSION UNITS: MM SCALE: 8:1	