

PLEASE CHECK WWW.MOLEX.COM FOR LATEST PART INFORMATION

Part Number: [0003096032](#)
Status: **Active**
Overview: Standard .093" Pin and Socket Connectors
Description: 2.36mm Diameter Standard .093" Pin and Socket Receptacle Housing, Single Row, without Panel Mount Ears, PA Polyamide Nylon 6/6, UL 94V-2, 3 Circuits, Black

Documents:

3D Model	Product Specification PS-43660-9999-001 (PDF)
Drawing (PDF)	Packaging Specification PK-1396-002-001 (PDF)
Product Specification PS-02-09 (PDF)	RoHS Certificate of Compliance (PDF)

Agency Certification

CSA	LR19980
UL	E29179

General

Product Family	Crimp Housings
Series	1396
Application	Power, Wire-to-Wire
Comments	Current = 17A max. per circuit when this receptacle is loaded with either 42477 or 42478 series terminals crimped to 14 AWG wire and mated to a plug loaded with either 42477 or 42478 series terminals crimped to 14 AWG wire.
Overview	Standard .093" Pin and Socket Connectors
Product Name	Standard .093"
UPC	800754942478

Physical

Circuits (maximum)	3
Color - Resin	Black
Flammability	94V-2
Gender	Receptacle
Glow-Wire Compliant	No
Lock to Mating Part	Yes
Material - Resin	Nylon
Number of Rows	1
Packaging Type	Bag
Panel Mount	No
Pitch - Mating Interface	5.03mm
Polarized to Mating Part	Yes
Stackable	No
Temperature Range - Operating	-40°C to +105°C

Electrical

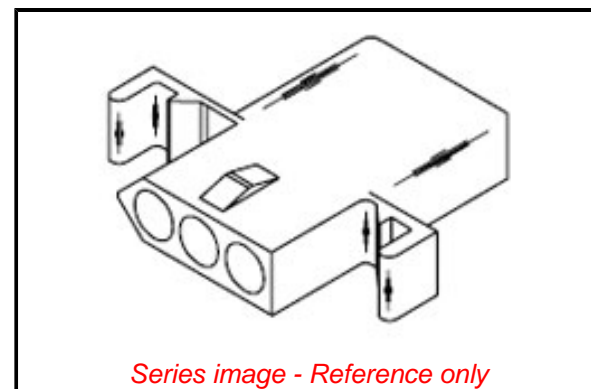
Current - Maximum per Contact	14.0A, 17.0A
-------------------------------	--------------

Material Info

Engineering Number	1396-R1-BK
--------------------	------------

Reference - Drawing Numbers

Packaging Specification	PK-1396-002-001
Product Specification	PS-02-09, PS-43660-9999-001
Sales Drawing	SD-1396-*



EU ELV

Not Relevant

EU RoHS

Not Reviewed

REACH SVHC

Not Reviewed

Halogen-Free

Status

Not Reviewed

Need more information on product environmental compliance?

Email productcompliance@molex.com
Please visit the [Contact Us](#) section for any non-product compliance questions.

China ROHS	Not Reviewed
ELV	Not Relevant
RoHS Phthalates	Not Reviewed

Search Parts in this Series

[1396 Series](#)

Mates With

[03-09-2031](#) , [03-09-2032](#) , [03-09-7032](#) , [3099](#)

Use With

[1973](#) , [2151](#) , [2273](#) , [2870](#) , [2871](#) , [4272](#) , [4550](#) , [Li nk:6271](#) , [6310](#) , [42477](#) , [42478](#) , [1189](#) , [1190](#) , [1376](#) , [Li nk:1377](#) , [1380](#) , [1381](#) , [1433](#) , [1434](#)

PLEASE CHECK WWW.MOLEX.COM FOR LATEST PART INFORMATION