

**PLEASE CHECK WWW.MOLEX.COM FOR LATEST PART INFORMATION**

**Part Number:** [0734120504](#)  
**Status:** **Active**  
**Overview:** [RF/Microwave Products](#)  
**Description:** MCRF-to-MCRF, 1.32mm Cable Diameter, Length 162.00mm, 50 Ohms

**Documents:**

[Drawing \(PDF\)](#) [RoHS Certificate of Compliance \(PDF\)](#)

**General**

Product Family	Cable Assemblies
Series	73412
Assembly Configuration	Dual Ended Connectors
Connector to Connector	MCRF-to-MCRF
Overview	<a href="#">RF/Microwave Products</a>
Product Name	MCRF, RF
UPC	822348820078

**Physical**

Cable Length	162.00mm
Circuits (Loaded)	0
Gender	Plug/Plug
Material - Metal	Phosphor Bronze
Material - Plating Mating	Gold
Net Weight	0.790/g
Number of Rows	1
Packaging Type	Bag
Single Ended	No
Wire/Cable Type	Coaxial

**Electrical**

Impedance	50Ω
-----------	-----

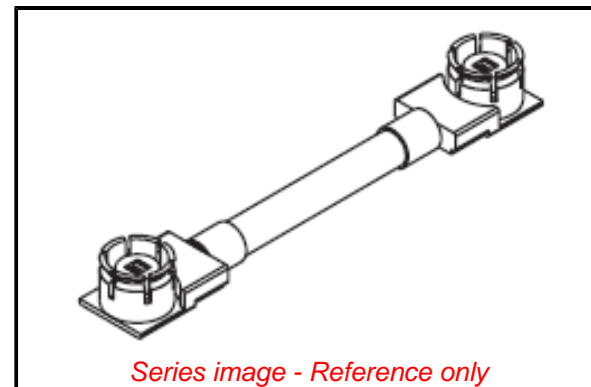
**Solder Process Data**

Lead-freeProcess Capability	N/A
-----------------------------	-----

**Material Info**

**Reference - Drawing Numbers**

Sales Drawing	SD-73118-025-001, SD-73412-050-001
---------------	------------------------------------



*Series image - Reference only*

**EU ELV**

**Not Relevant**

**EU RoHS**

**Compliant**

**REACH SVHC**

Not Contained Per -  
ED/71/2019 (16 July  
2019)

**Halogen-Free**

**Status**

**Low-Halogen**

For more information, please visit [Contact US](#)

China ROHS

ELV

RoHS Phthalates

**China RoHS**

Green Image

Not Relevant

Not Contained

**Search Parts in this Series**

[73412 Series](#)