

PLEASE CHECK WWW.MOLEX.COM FOR LATEST PART INFORMATION

Part Number: **0543660478**
Status: **Obsolete**
Overview: usb
Description: Universal Serial Bus (USB) Shielded I/O Receptacle, SMT, Side Flange Reverse Mount, Lead-free

Documents:
[Drawing \(PDF\)](#)

General

Product Family	I/O Connectors
Series	54366
Application	Wire-to-Board
Comments	Side Flange
Component Type	Receptacle
Overview	<u>usb</u>
Product Name	USB
Type	A

Physical	
Circuits (Loaded)	4
Circuits (maximum)	4
Color - Resin	Natural
Lock to Mating Part	Yes
Material - Plating Mating	Gold
Material - Plating Termination	Tin
Material - Resin	High Temperature Thermoplastic
Orientation	Right Angle
PCB Locator	Yes
PCB Retention	Yes
Packaging Type	Embossed Tape on Reel
Panel Mount	Yes
Pitch - Mating Interface	2.00mm (.079"), 2.50mm (.098")
Plating min - Mating	0.762µm (30µ")
Plating min - Termination	1.016µm (40µ")
Polarized to Mating Part	Yes
Surface Mount Compatible (SMC)	N/A
Temperature Range - Operating	0°C to +40°C
Termination Interface: Style	Surface Mount
Wire Size AWG	N/A

Electrical

Current - Maximum per Contact	1A
Shielded	Yes
Voltage - Maximum	30V

Material Info

Reference - Drawing Numbers

Product Specification	PS-54366-008, RPS-54366-002
Sales Drawing	SD-54366-007, SD-54366-008

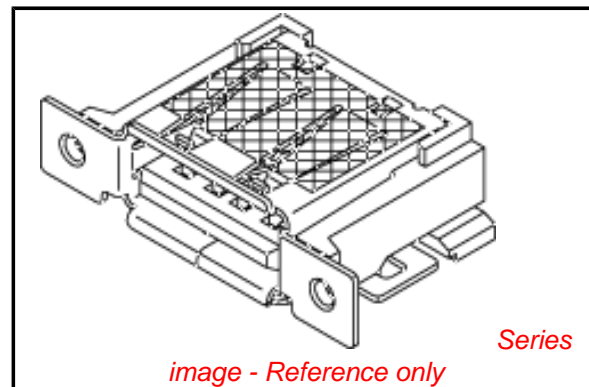


image - Reference only

EU RoHS

**ELV and RoHS
Compliant**

REACH SVHC

**Contains SVHC: No
Low-Halogen Status
Not Low-Halogen**

China RoHS



**Need more information on product
environmental compliance?**

Email productcompliance@molex.com
 For a multiple part number RoHS Certificate of Compliance, [click here](#)

Please visit the [Contact Us](#) section for any non-product compliance questions.

Search Parts in this Series

54366Series

Mates With

USB Type A Plug