

**PLEASE CHECK WWW.MOLEX.COM FOR LATEST PART INFORMATION**

**Part Number:** **0541223628**  
**Status:** **Obsolete**  
**Description:** 1.27mm (.050") Pitch Wire-to-Board Shielded Receptacle, Vertical, Dual Row, 36 Circuits, Lead-free

**Documents:**  
[Drawing \(PDF\)](#)

**General**

Product Family	I/O Connectors
Series	<u>54122</u>
Application	Wire-to-Board
Component Type	Receptacle
Product Name	Leaf Style Contact
Type	N/A

**Physical**

Circuits (Loaded)	36
Circuits (maximum)	36
Color - Resin	Black
Durability (mating cycles max)	500
Lock to Mating Part	Yes
Material - Metal	Phosphor Bronze
Material - Plating Mating	Gold
Material - Plating Termination	Tin
Material - Resin	Polyester
Orientation	Vertical
PC Tail Length	3.18mm (.125")
PCB Locator	Yes
PCB Retention	None
PCB Thickness - Recommended	1.60mm (.063")
Packaging Type	Tray
Panel Mount	Yes
Pitch - Mating Interface	1.27mm (.050")
Plating min - Mating	0.305µm (12µ")
Plating min - Termination	1.016µm (40µ")
Polarized to Mating Part	Yes
Surface Mount Compatible (SMC)	No
Temperature Range - Operating	-55°C to +85°C
Termination Interface: Style	Through Hole
Wire Size AWG	N/A

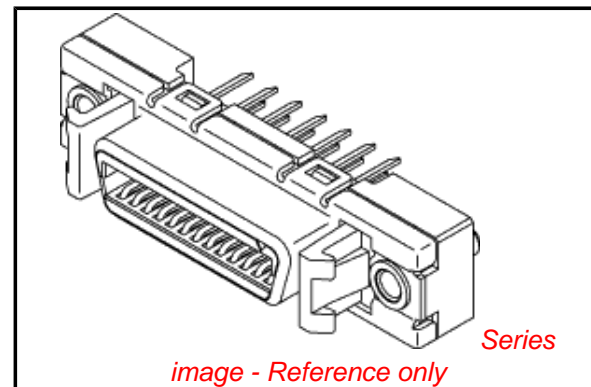
**Electrical**

Current - Maximum per Contact	1A
Shielded	Yes
Voltage - Maximum	250V

**Material Info**

**Reference - Drawing Numbers**

Product Specification	PS-52986-016, RPS-52986-032, RPS-52986-033
Sales Drawing	SD-54122-001



*image - Reference only*

**EU RoHS**

**RoHS Compliant by Exemption**

**REACH SVHC**

Not Reviewed

**Low-Halogen Status**

**Not Reviewed**

**China RoHS**



**Need more information on product environmental compliance?**

Email [productcompliance@molex.com](mailto:productcompliance@molex.com)  
 For a multiple part number RoHS Certificate of Compliance, [click here](#)

Please visit the [Contact Us](#) section for any non-product compliance questions.

**Search Parts in this Series**

54122Series

**Mates With**

54306 , [Link:52316](#)