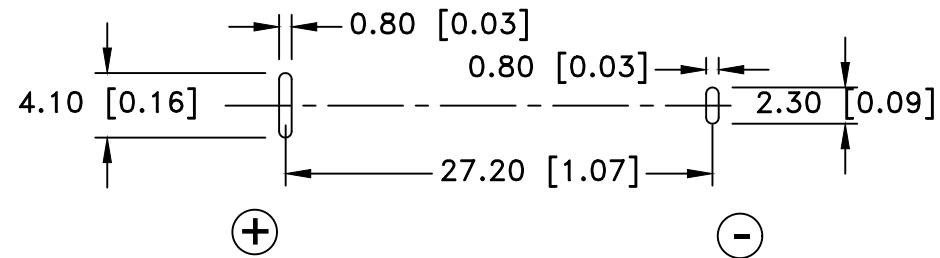
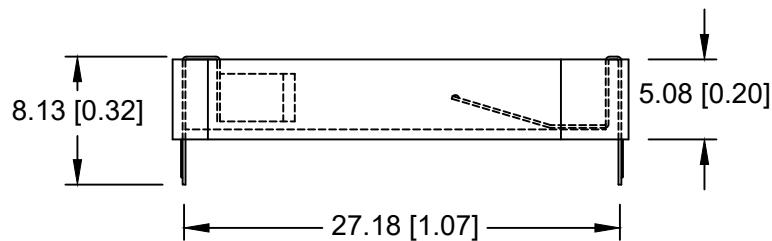
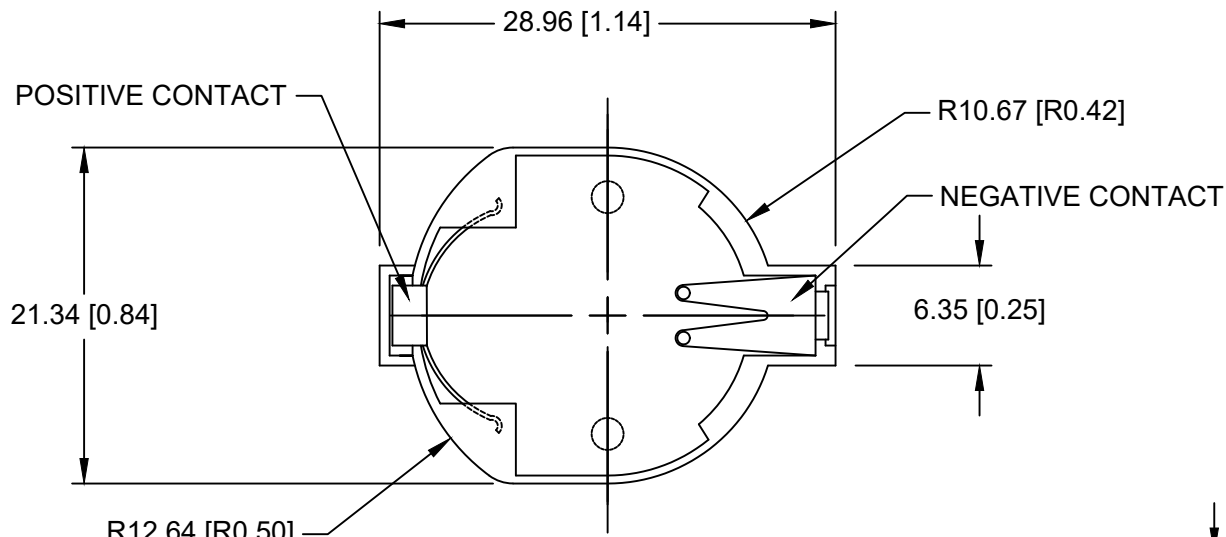


Date	SYM	REVISION RECORD	AUTH	DR.	CK.
03/26/19	E	UPDATED TO "ROHS COMPLIANT"	T.B.	B.S.	
10/07/19	F	ADDED WEIGHT OF THE PART	T.B.	B.S.	




PCB LAYOUT

**SPECIFICATIONS:**

- \* Holder material- PBT, 30% glass reinforced, Black, UL94V-0  
Temperature range: -40°C to +180°C, UL File no. E53829
- \* Contacts : Stainless Steel 301, spring temper, Nickel Plated,
- \* Vibration test: 10-50-10 hz swept in 60 seconds  
x,y,z direction: 1 hour each direction
- \* Result: no dislodgement of the cell or damage  
no discontinuity over 10 micro-seconds
- \* Shock test: half sine wave acceleration 150g.  
6 micro-seconds 3 shock pulses each direction per axis,  
total of 18 pulses
- \* Result: no evidence of physical damage
- \* Drop Test: Mounted on board and dropped 5 times from 1m high to  
concrete floor
- \* Result: No dislodgement of the cell, No damage to the holders

\* ROHS COMPLIANT

Weight: 1.10 g.

Tolerance (Except as noted)	 <b>Memory Protection Devices, Inc</b> 200 Broad Hollow Road, Farmingdale, New York 11735		
decimal ±.5 (.020)	Scale	Drawn By B.S.	
		Approved By T.B.	
Fractional ± .8 (.030)	Title CR2032 BATTERY HOLDER, THRU HOLE		
Angular ± 3°	Date 10/07/19	Drawing Number BC2032-E2	