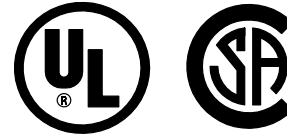


DBY-6 Direct Bury Splice Kit 600 Volts



Application

Use part DBY-6, which includes a Scotchlok™ Y electrical spring connector, to electrically connect two or more pre-stripped copper wire ends in a pigtail application and moisture seal the connection for direct burial.

Wire

Common AWG wire combinations (copper wire only, solid or stranded).

2 – 3 #16	1 #18 to 1 – 2 #14
2 – 3 #14	1 #18 to 1 – 2 #12
2 #12	1 #16 to 1 – 2 #12
1 3/4 to 1 #12	

See page two for complete table of UL Listed combinations.

Regulatory Agencies:

UL Listed as a Wire Connector System For Use With Underground Conductors.

UL File No. E102356

Tested per UL Standard 486D

CSA Certified as a Underground Cable Splicing Kit

CSA File No. LR91920

Tested per CSA Standard C22.2 No.198.2.

Engineering Specification:

The device, 3M Brand DBY-6 Direct Bury Splice Kit, shall splice and effectively moisture seal two or more conductors. The electrical connector shall be a Scotchlok™ Y. The device shall be installed per manufacture's instructions and all applicable codes. The device shall be UL Listed as a Wire Connector System For Use With Underground Conductors.

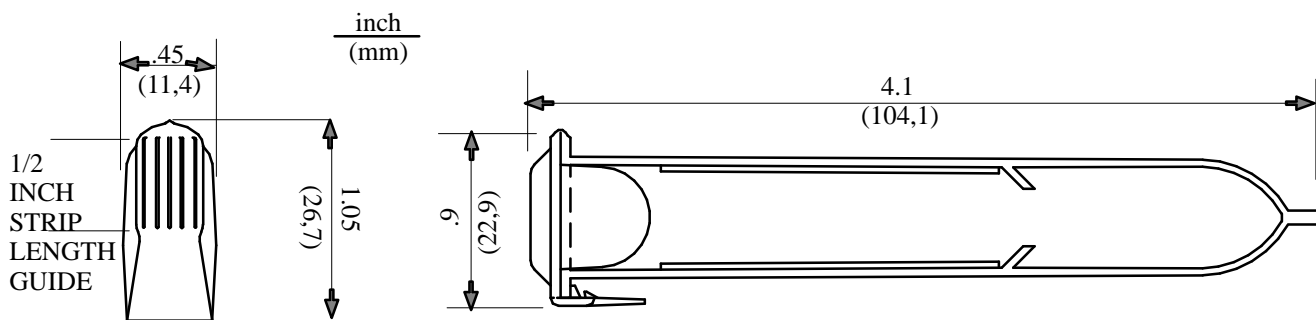
Construction:

Connector:	Steel spring, metal shell, flame retardant pvc insulator
Tube:	Polypropylene
Gel:	Silicone electrical insulating gel

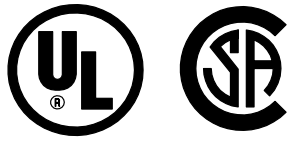
Application Data:

Application Temperature:	32°F to 120°F (0°C to 49°C)
Operating Temperature:	221°F to -40°F (105°C to -40°C)
Voltage Rating:	600 Volts
Weight of one kit (2 splices):	.0612 lbs (27,92 gm)
Storage:	Do not store above 120°F (49°C)

NOT FOR USE IN DIRECT ULTRAVIOLET EXPOSURE



DBY-6

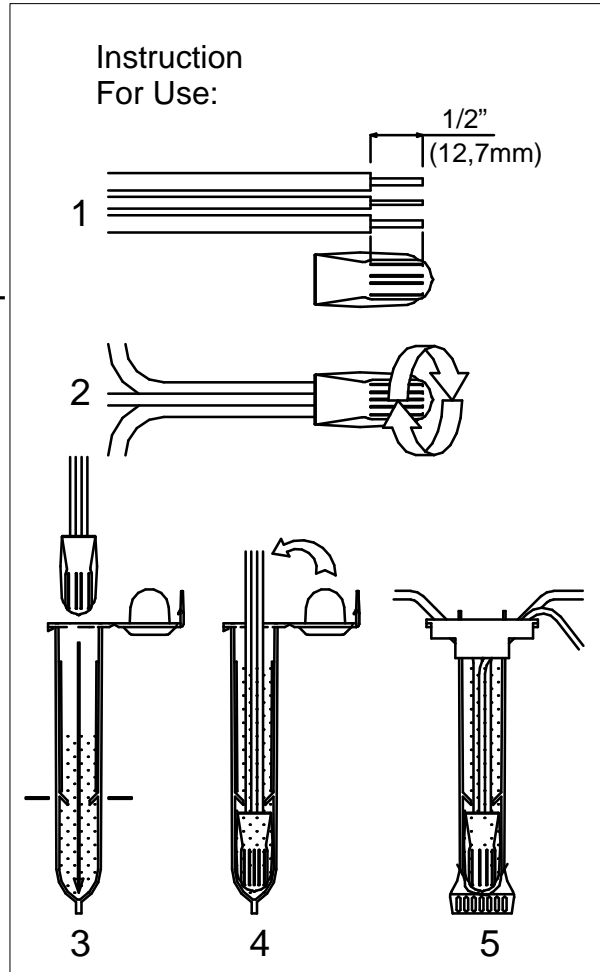


WIRE COMBINATIONS AWG CU TO CU ONLY

HOW TO READ THIS CHART

18 STR	1 2 3 4	••••																	
18 SOL	1 2 3 4	••••	••••																
16 STR	1 2 3	••••	••••	••••															
16 SOL	1 2 3	••••	••••	••••	••••														
14 STR	1 2	••••	••••	••••	••••	••••													
14 SOL	1 2	••••	••••	••••	••••	••••	••••												
12 STR	1 2	••••	••••	••••	••••	••••	••••	••••											
12 SOL	1 2	••••	••••	••••	••••	••••	••••	••••	••••										
10 STR	1 2	••••	••••	••••	••••	••••	••••	••••	••••										
10 SOL	1 2	••••	••••	••••	••••	••••	••••	••••	••••	••••									
		1 2 3 4	1 2 3 4	1 2	1 2	1 2	1 2	1 2	1 2	1 2	1 2	1 2	1 2	1 2	1 2	1 2	1 2	1 2	1 2
		18 STR	18 SOL	16 STR	16 SOL	14 STR	14 SOL	12 STR	12 SOL										

EXAMPLE 1
EXAMPLE 1: 1 No. 16 str to 2 No. 16 str
EXAMPLE 2: 1 No. 10 sol to 1 No. 16 str



All wire combinations are 600 volt UL Listed when using insulation thickness such as TW and THHN.

METRIC WIRE COMBINATIONS

Cross Section Capacity

Minimum	Maximum
2,mm ²	7,5mm ²

Copper conductors only
Not UL Listed or
CSA Certified

Conductor Combinations

Quantity	Size	Type
3 - 6	0,75mm ²	sol / str
2 - 6	1,0 mm ²	sol / str
2 - 4	1,5 mm ²	sol / str
2 - 3	2,5 mm ²	sol / str

IMPORTANT NOTICE TO PURCHASER:
All statements, technical information and recommendations related to the Seller's products are based on information believed to be reliable, but the accuracy or completeness thereof is not guaranteed. Before utilizing the product, the user should determine the suitability of the product for its intended use. The user assumes all risks and liability whatsoever in connection with such use.

All statements or recommendations of the seller which are not contained in the Seller's current publications shall have no force or effect unless contained in an agreement signed by an authorized officer of the Seller. The statements contained herein are made in lieu of all warranties express or implied, including but not limited to the implied warranties of merchantability and fitness for a particular purpose which warranties are hereby expressly disclaimed.

SELLER SHALL NOT BE LIABLE TO THE USER OR ANY OTHER PERSON UNDER ANY LEGAL THEORY, INCLUDING BUT NOT LIMITED TO NEGLIGENCE OR STRICT LIABILITY, FOR ANY INJURY OR FOR ANY DIRECT OR CONSEQUENTIAL DAMAGES SUSTAINED OR INCURRED BY REASON OF THE USE OF ANY OF THE SELLER'S PRODUCTS.

© 3M 1991

3M Division

6801 River Place Blvd.
Austin, TX 78726-9000

2 / 13 / 92

