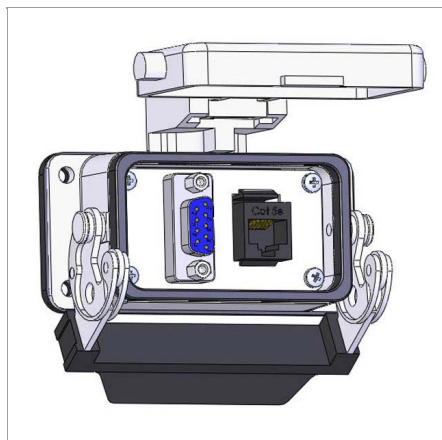




SEARCH

- [Home](#)
- [Company](#)
- [Products](#)
- [Resources](#)
- [Quick Buy](#)
- [Support](#)
- [Contact Us](#)
- [My Account](#)
- [My Cart](#)
- [Checkout](#)
- [Log In](#)

You're here: [Home](#) / [Panel Interface Connector with, DB9 and, RJ45, in a 10LS housing](#)



Panel Interface Connector with, DB9 and, RJ45, in a 10LS housing

Part #DB09-RJ45-10LS

Availability: 7 in stock.

Qty:

ADD TO CART

- [Email this Product](#)
- [Add to Product List](#)
- [Compare Product](#)

Quick Overview

Panel Interface Connector

Double click on above image to view full picture



Specification

Description

Downloads

Accessories	N/A
Housings	Size 10 Bulkhead Housing
Power Ports	N/A
RJ / Ethernet	Ethernet Female/Female
USB	N/A
Other Connectors	N/A
Resets	N/A
Data	N/A
D-Subs	9 Pin D-Sub Female Ext/Male Interior
Weight (lbs.)	0.6300

Mencom Newsletter

Join our newsletter & receive the latest news from Mencom

SIGN UP



Chat online now!

Chat with us online during business hours, 8 - 5 EST

