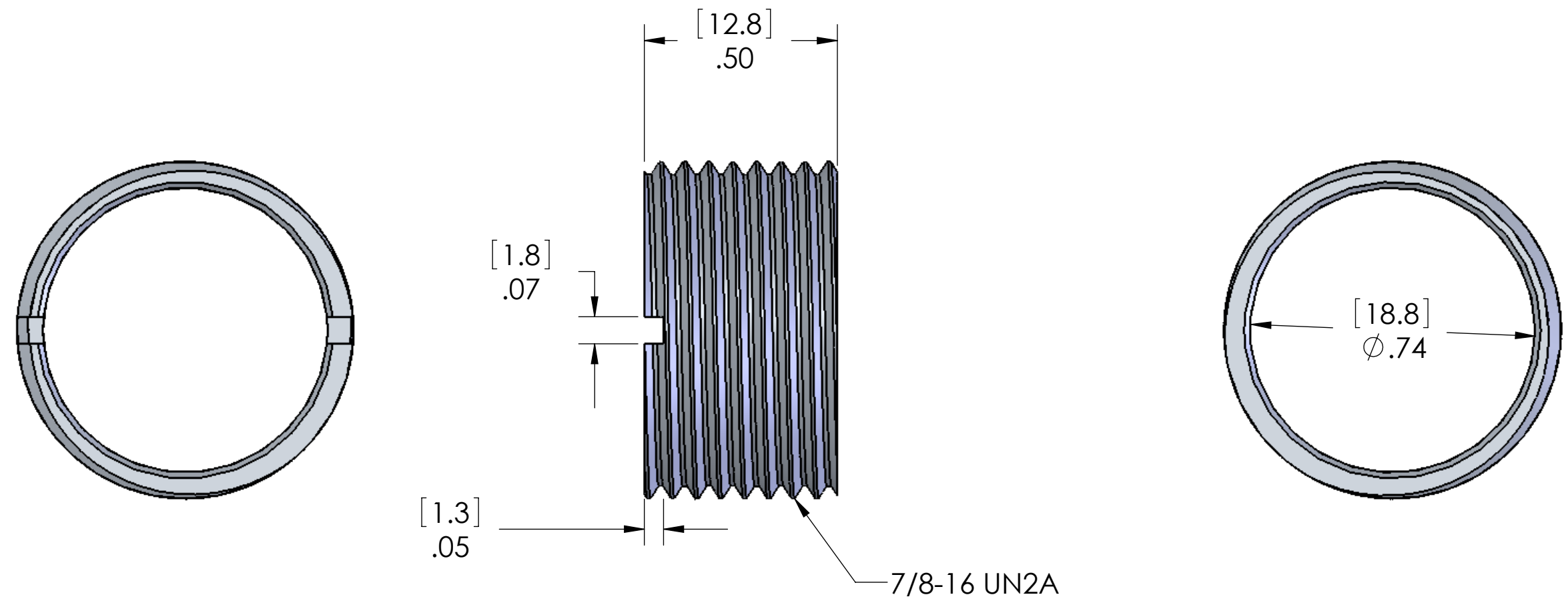


| REVISIONS |                  |            |          |
|-----------|------------------|------------|----------|
| REV.      | DESCRIPTION      | DATE       | APPROVED |
| C         | REDRAWN IN SW    | 7/20/2006  |          |
| D         | CHANGED TO BRASS | 10/29/2014 |          |



**PROPRIETARY AND CONFIDENTIAL**  
 THE INFORMATION CONTAINED IN THIS DRAWING IS THE SOLE PROPERTY OF MENCOM CORPORATION. ANY REPRODUCTION IN PART OR AS A WHOLE WITHOUT THE WRITTEN PERMISSION OF MENCOM CORPORATION IS PROHIBITED.

|                                   |  |           |     |   |  |
|-----------------------------------|--|-----------|-----|---|--|
| UNLESS OTHERWISE SPECIFIED:       |  | NAME      |     | MENCOM CORPORATION                      |  |
| DIMENSIONS ARE IN INCHES AND [MM] |  | DRAWN     | BEM |   |  |
|                                   |  | CHECKED   |     | TITLE:                                  |  |
|                                   |  | ENG APPR. |     |   |  |
|                                   |  | MFG APPR. |     |   |  |
|                                   |  | Q.A.      |     |   |  |
|                                   |  | COMMENTS: |     | SIZE DWG. NO. REV                       |  |
| MATERIAL                          |  |           |     | B MIN-XMP-AD D                          |  |
| FINISH                            |  |           |     | SCALE: 3:1 WEIGHT: 0.01912 SHEET 1 OF 1 |  |
| DO NOT SCALE DRAWING              |  |           |     |   |  |