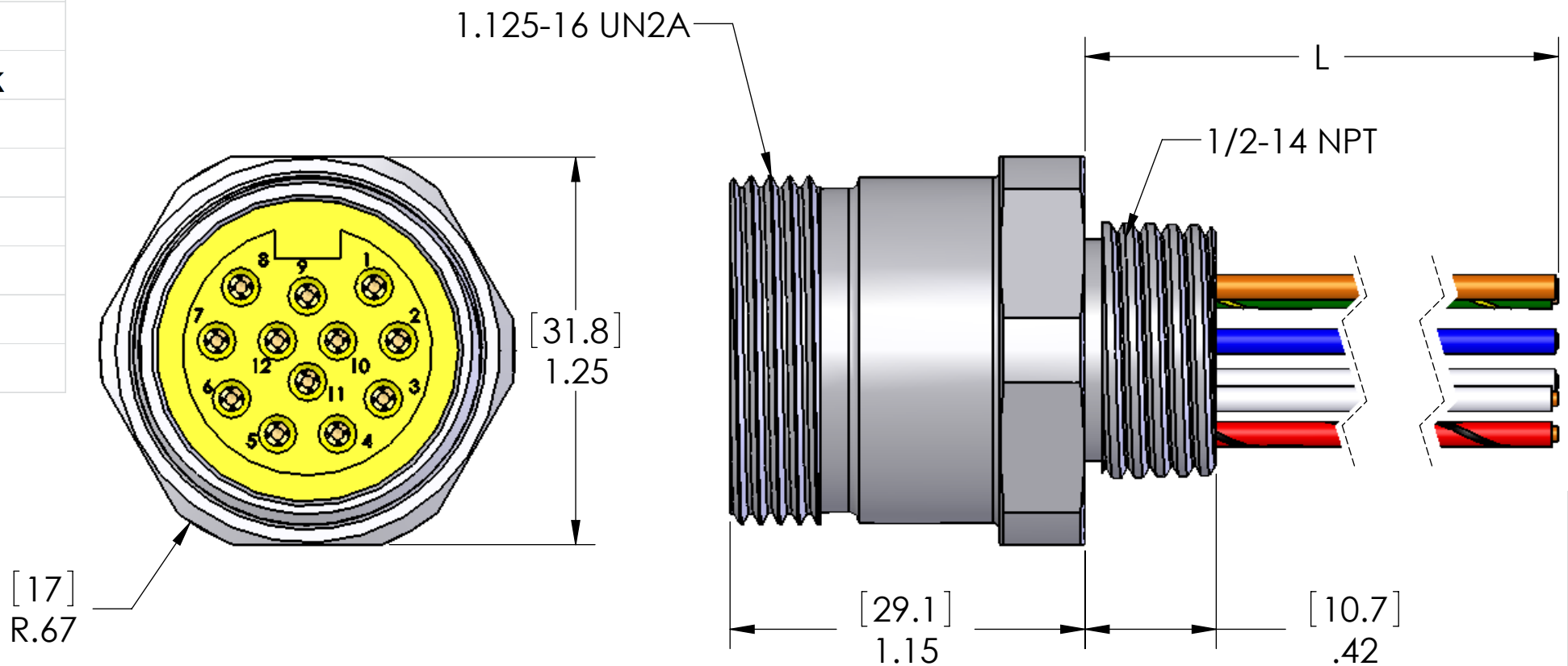


PIN #	COLOR
1	ORANGE
2	BLUE
3	WHITE w/BLACK
4	RED w/BLACK
5	GREEN w/BLACK
6	ORANGE w/BLACK
7	BLUE w/BLACK
8	BLACK w/WHITE
9	GREEN / YELLOW
10	RED
11	WHITE
12	BLACK

REVISIONS			
REV.	DESCRIPTION	DATE	APPROVED
A	REDRAWN IN SW	7/1/2004	



P/N	L
MIN-12FR-1-18	12" [0.3m]
MIN-12FR-2-18	24" [0.6m]
MIN-12FR-3-18	36" [0.9m]
MIN-12FR-4-18	48" [1.2m]
MIN-12FR-5-18	60" [1.5m]
MIN-12FR-6-18	72" [1.8m]
MIN-12FR-10-18	120" [3m]
MIN-12FR-15-18	180" [4.5m]
MIN-12FR-20-18	240" [6m]

AN O-RING AND LOCKNUT ARE INCLUDED FOR LENGTHS OF 24" AND LONGER.

MATERIALS	
BODY:	CLEAR ANODIZED ALUMINUM
CONTACTS:	GOLD PLATED COPPER ALLOY
WIRE:	18AWG UL1007
INSERT:	YELLOW PVC
O-RING:	BUNA-N
NUT:	ZINC PLATED STEEL

APPROVALS	
U.S.	UL LISTED
CANADA	C-UL LISTED

PROPRIETARY AND CONFIDENTIAL
 THE INFORMATION CONTAINED IN THIS DRAWING IS THE SOLE PROPERTY OF MENCOM CORPORATION. ANY REPRODUCTION IN PART OR AS A WHOLE WITHOUT THE WRITTEN PERMISSION OF MENCOM CORPORATION IS PROHIBITED.

VOLTS	300V
AMPS	4A
TEMP	105°C
SPECIFICATIONS	

UNLESS OTHERWISE SPECIFIED:		NAME
DIMENSIONS ARE IN INCHES		DRAWN BEM
		CHECKED
		ENG APPR.
		MFG APPR.
		Q.A.
		COMMENTS:
MATERIAL		
FINISH		
DO NOT SCALE DRAWING		

MENCOM CORPORATION		
TITLE:		
SIZE	DWG. NO.	REV
B	MIN-12FR-ZZ-18	A
SCALE: 2:1	WEIGHT:	SHEET 1 OF 1