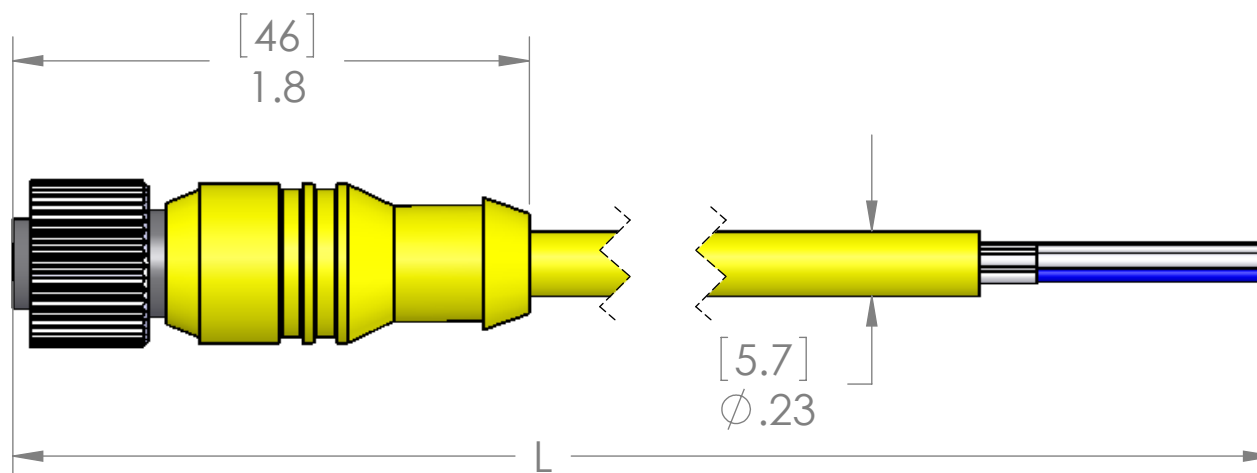
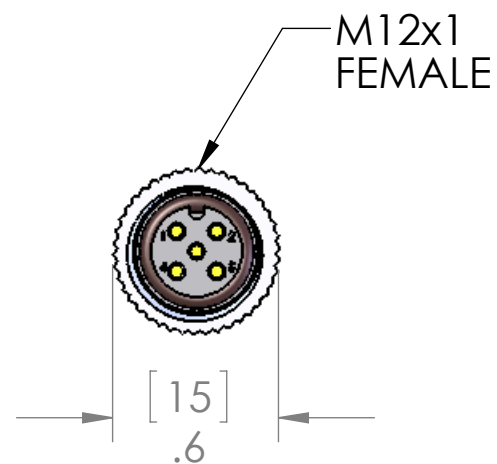


PIN #	COLOR
1	BROWN
2	WHITE
3	BLUE
4	BLACK
5	GRAY

REVISIONS		
REV.	DESCRIPTION	DATE
A	REDRAWN IN SW	7/25/2005



P/N	L	STD?
MDCM-5FP-1M	40" [1M]	YES
MDCM-5FP-2M	79" [2M]	YES
MDCM-5FP-3M	118" [3M]	NO
MDCM-5FP-4M	157" [4M]	YES
MDCM-5FP-5M	197" [5M]	YES
MDCM-5FP-6M	236" [6M]	NO
MDCM-5FP-8M	315" [8M]	NO
MDCM-5FP-10M	393" [10M]	YES
MDCM-5FP-15M	590" [15M]	NO
MDCM-5FP-20M	786" [20M]	NO
MDCM-5FP-30M	1179" [30M]	NO
MDCM-5FP-50M	1969" [50M]	NO

MATERIALS	
BODY:	YELLOW PVC
CONTACTS:	GOLD PLATED COPPER ALLOY
CABLE:	22/5 w/FOIL SHIELD AWM 2661 YELLOW PVC JACKET
COUPLING:	NICKEL PLATED BRASS
INSERT:	POLYAMIDE
O-RING:	FPM

DRAIN WIRE LEFT LONG ON FREE END.
DRAIN WIRE IS NOT CONNECTED ON
THE CONNECTOR END.

PARTS LISTED AS NOT BEING STANDARD
MAY HAVE MINIMUM ORDER QUANTITIES

APPROVALS:	
US	UL LISTED
CANADA	C-UL LISTED

PROPRIETARY AND CONFIDENTIAL
THE INFORMATION CONTAINED IN THIS
DRAWING IS THE SOLE PROPERTY OF
MENCOM CORPORATION. ANY
REPRODUCTION IN PART OR AS A WHOLE
WITHOUT THE WRITTEN PERMISSION OF
MENCOM CORPORATION IS
PROHIBITED.

VOLTS	300V
AMPS	4A
TEMP	105°C

UNLESS OTHERWISE SPECIFIED:	
DIMENSIONS ARE IN INCHES AND [MM]	
MATERIAL	
FINISH	
DO NOT SCALE DRAWING	

UNLESS OTHERWISE SPECIFIED:		NAME
DRAWN		DWM
CHECKED		
ENG APPR.		
MFG APPR.		
Q.A.		
COMMENTS:		
MENCOM CORPORATION		
TITLE:		
SIZE	DWG. NO.	REV
B	MDCM-5FP-ZZ	A
SCALE: 3:2	WEIGHT:	SHEET 1 OF 1