

PIN #	COLOR
1	BROWN
2	WHITE
3	BLUE
4	BLACK
5	GRAY

REVISIONS			
REV.	DESCRIPTION	DATE	APPROVED
A	DRAWN IN SW	9/23/2004	

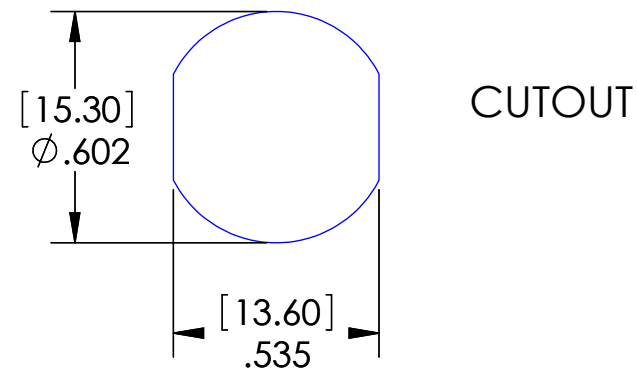
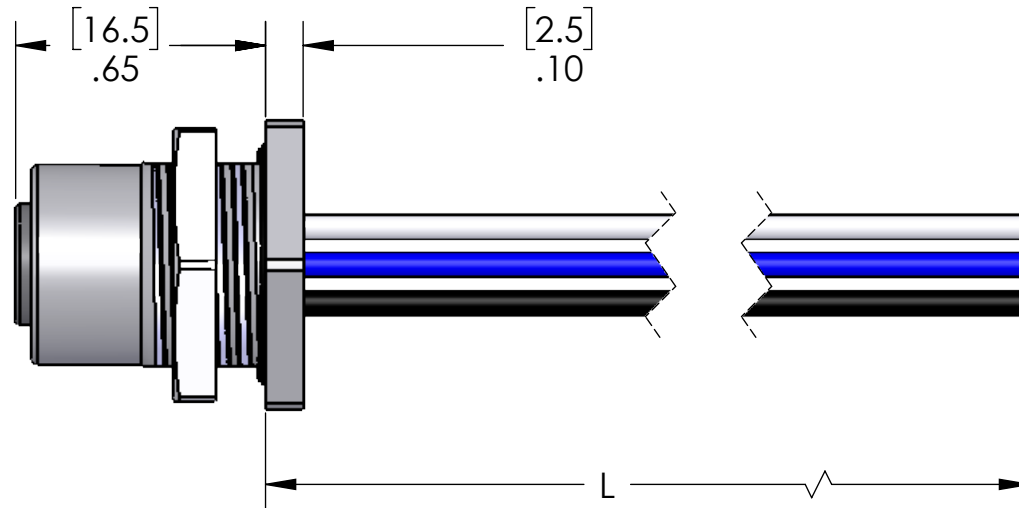
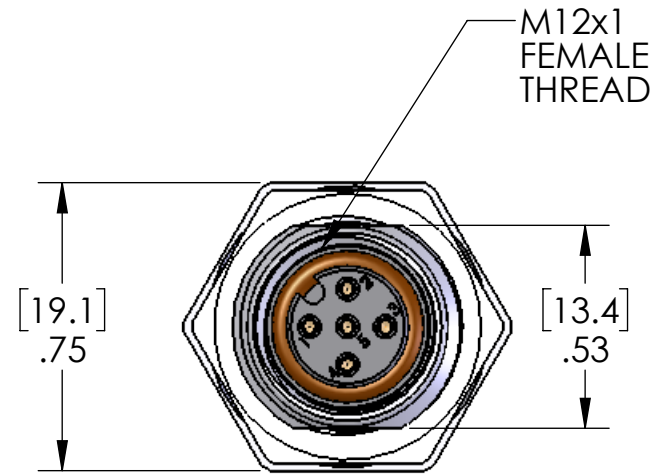


TABLE A	
P/N	L
MDC-5FR-BM	12" [0.3m]
MDC-5FR-BM-0.5M	19" [0.5m]
MDC-5FR-BM-1M	40" [1m]
MDC-5FR-BM-2M	79" [2m]
MDC-5FR-BM-3M	118" [3m]
MDC-5FR-BM-4M	157" [4m]
MDC-5FR-BM-5M	197" [5m]
MDC-5FR-BM-10M	393" [10m]

MATERIALS	
BODY:	NICKEL PLATED BRASS
NUT:	NICKEL PLATED BRASS
INSERT:	POLYAMIDE
CONTACTS:	GOLD PLATED COPPER ALLOY
O-RINGS:	BUNA-N
WIRE:	22AWG UL 1007 / 1569

APPROVALS:	
US	UL LISTED
CANADA	C-UL LISTED

**PROPRIETARY AND CONFIDENTIAL**  
 THE INFORMATION CONTAINED IN THIS DRAWING IS THE SOLE PROPERTY OF MENCOM CORPORATION. ANY REPRODUCTION IN PART OR AS A WHOLE WITHOUT THE WRITTEN PERMISSION OF MENCOM CORPORATION IS PROHIBITED.

VOLTS	300V
AMPS	4A
TEMP	105C
SPECIFICATIONS	

UNLESS OTHERWISE SPECIFIED:  
 DIMENSIONS ARE IN INCHES AND [MM]  
 MATERIAL  
 FINISH  
 DO NOT SCALE DRAWING

NAME
DRAWN: BEM
CHECKED:
ENG APPR.:
MFG APPR.:
Q.A.:
COMMENTS:

MENCOM CORPORATION		
TITLE:		
SIZE: <b>B</b>	DWG. NO.: MDC-5FR-BM-ZZ	REV: <b>A</b>
SCALE: 2:1	WEIGHT:	SHEET 1 OF 1