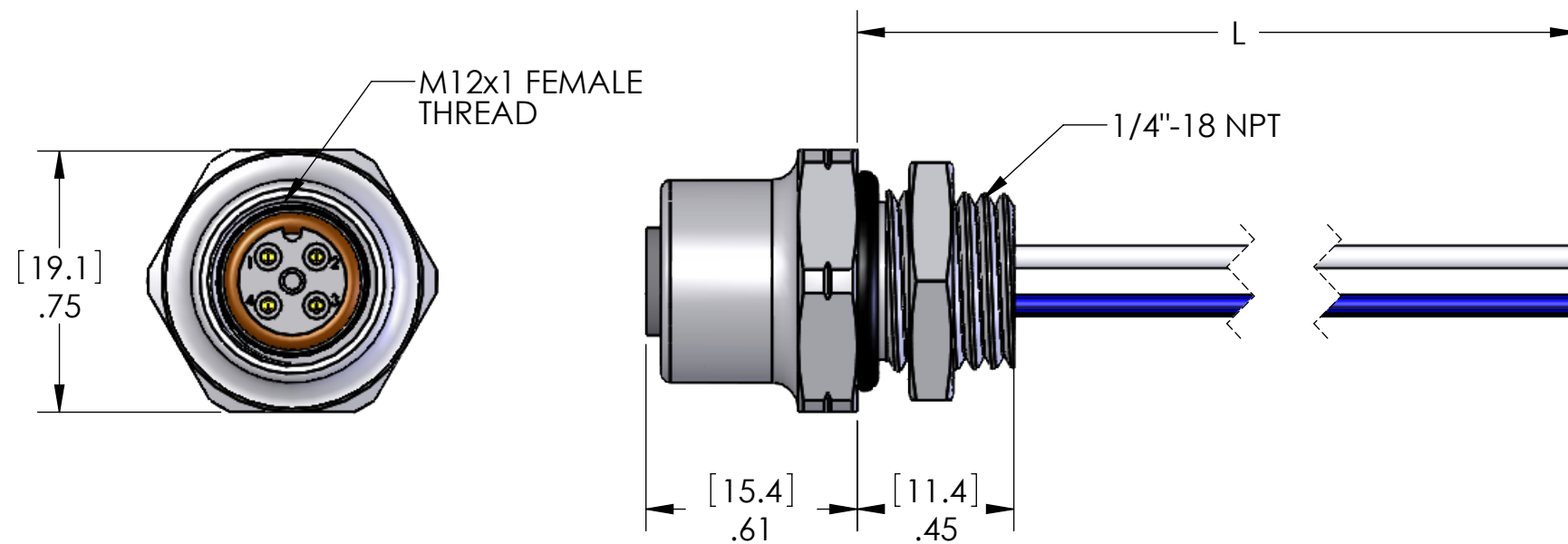


PIN #	COLOR
1	BROWN
2	WHITE
3	BLUE
4	BLACK
5	NO WIRE



P/N	L
MDC-4FR-4	12" [0.3m]
MDC-4FR-4-0.5M	20" [0.5m]
MDC-4FR-4-0.6M	24" [0.6m]
MDC-4FR-4-1M	40" [1m]
MDC-4FR-4-2M	79" [2m]
MDC-4FR-4-3M	118" [3m]
MDC-4FR-4-4M	157" [4m]
MDC-4FR-4-5M	197" [5m]

OTHER LENGTHS AVAILABLE  
PLEASE CONSULT FACTORY

MATERIALS	
BODY:	NICKEL PLATED BRASS
CONTACTS:	GOLD PLATED COPPER ALLOY
WIRE:	22AWG UL1007/1569
INSERT:	POLYAMIDE
O-RINGS:	FPM & NBR
NUT:	ZINC PLATED STEEL

CERTIFICATIONS:	
U.S.:	UL LISTED
CANADA:	C-UL LISTED
RoHS:	YES
CE:	YES

**PROPRIETARY AND CONFIDENTIAL**  
THE INFORMATION CONTAINED IN THIS DRAWING IS THE SOLE PROPERTY OF MENCOM CORPORATION. ANY REPRODUCTION IN PART OR AS A WHOLE WITHOUT THE WRITTEN PERMISSION OF MENCOM CORPORATION IS PROHIBITED.

VOLTS	300V
AMPS	4A
TEMP:	105°C

UNLESS OTHERWISE SPECIFIED:	DRAWN BY	ADM
DIMENSIONS ARE IN INCHES AND [MM]	DRAWN DATE	09/22/2016
	CHECKED BY	
	CHECK DATE	
	COMMENTS:	
MATERIAL		
FINISH		
DO NOT SCALE DRAWING		

MENCOM CORPORATION		
TITLE: 4 POLE FEM RECP 1/4" NPT		
SIZE	DWG. NO.	REV
<b>B</b>	MDC-4FR-4-ZZ	<b>B</b>
SCALE: 2:1	WEIGHT:	SHEET 1 OF 1