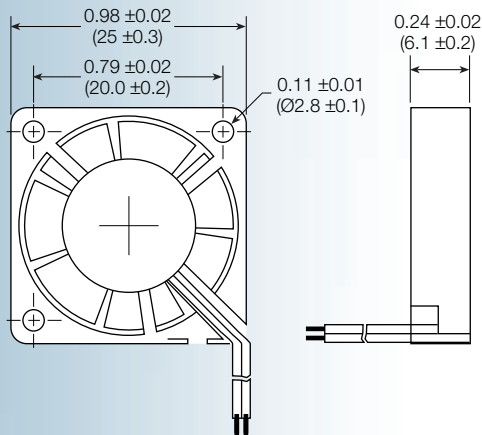


MA2506 series



Size: (25 x 25 x 6.1 mm)
0.98 x 0.98 x 0.24 inch

Construction: UL94V-0 PBT impeller & frame

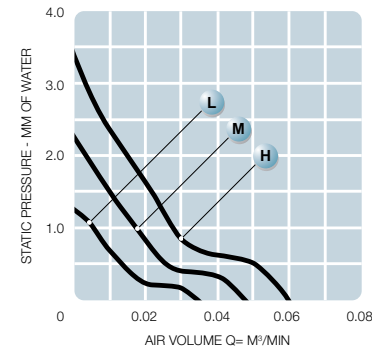
Bearing option: ball bearing or sleeve

Connection: AWG 30, UL1007 lead wires

Frame: ribbed type

Protection: thermal

Options: tachometer output signal



Model No.	Rated Voltage	Operating Voltage	Current	Revolution	Air Volume		Max Static Pressure (H ₂ O)		Sound Noise	Weight
	V	V			mA	RPM	M³/Min	CFM		
MA2506L	5	3 - 6.5	50	6,500	0.03	1.22	1.25	0.05	11.0	8
MA2506M	5	3 - 6.5	60	8,500	0.05	1.65	2.30	0.09	19.0	8
MA2506H	5	3 - 6.5	70	10,500	0.06	2.08	3.37	0.13	25.5	8