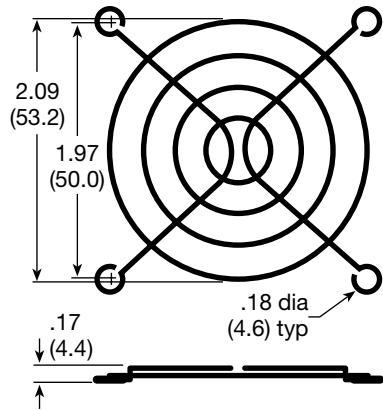


SGR-24

For use on 60 mm sq. fans
RoHS Compliant

.xxx ± 0.005 .xx ± 0.02 ANG. ± 1.5"



- Bright nickle chrome plated.
- Meets UL 0.25 inch maximum spacing plug gage test.
- Steel wire rings 1.6 mm (0.063") D., ribs 1.6 mm (0.063") D., bright basic wire.