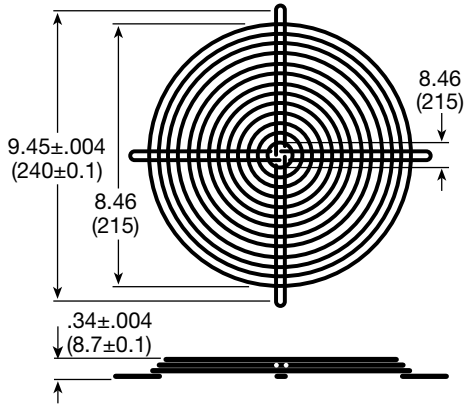


# MG-200

For use with UF200 series



- Bright nickel chrome plated
- Meets UL/CSA 1/4" spacing requirements

