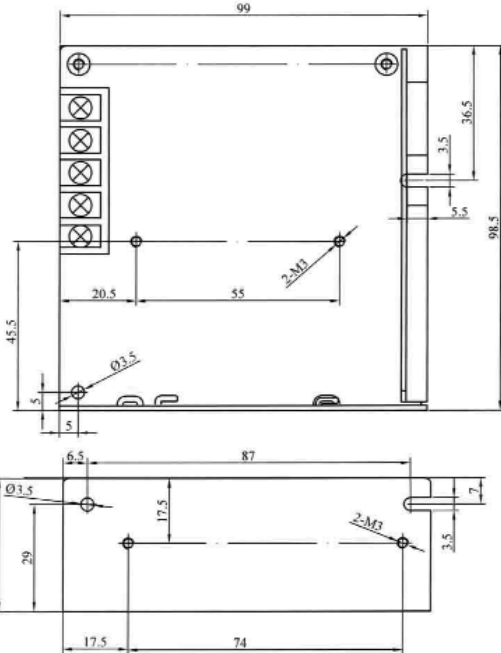


**25W SWITCHING POWER SUPPLY - CLOSED FRAME**

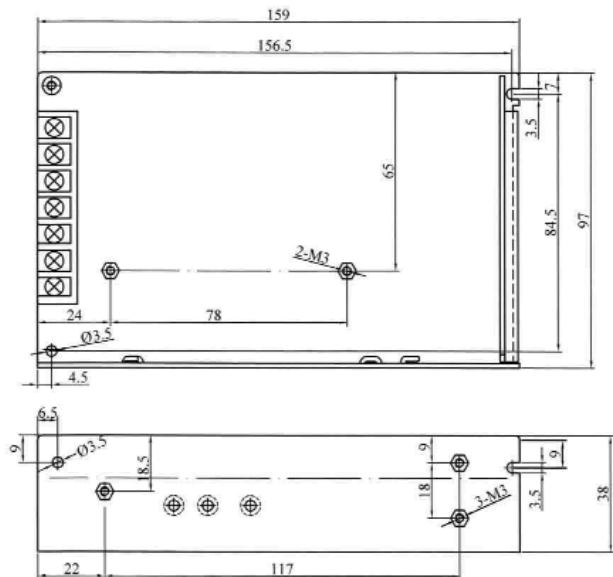


- Universal Input 85 to 264VAC.
- Low Power Consumption.
- Approvals: UL / CUL / TUV / CB / CE.
- Protections: Over Load / Over Voltage / Short Circuit.
- 100% Full Load High Temperature Burn-in Test.
- 2 Years Warranty.
- Packaged in a Box.

Input Voltage Range: 85~264VAC  
 Input Frequency: 47~63Hz  
 Output Adjustment Range: ±10% Rated Output Voltage  
 Line Regulation: ≤0.5%

Part No.	DC output	Load regul.	Efficiency
<b>67-0525-1</b>	5V, 0~5A	1%	73%
<b>67-1225-1</b>	12V, 0~2.1A	0.5%	77%
<b>67-2425-1</b>	24V, 0~1.1A	0.5%	77%

**60W SWITCHING POWER SUPPLY - CLOSED FRAME**



- Universal Input 85 to 264VAC.
- Low Power Consumption.
- Approvals: UL / CUL / TUV / CB / CE.
- Protections: Over Load / Over Voltage / Short Circuit.
- 100% Full Load High Temperature Burn-in Test.
- 2 Years Warranty.
- Packaged in a Box.

Input Voltage Range: 85~264VAC  
 Input Frequency: 47~63Hz  
 Output Adjustment Range: ±10% Rated Output Voltage  
 Line Regulation: ≤0.5%

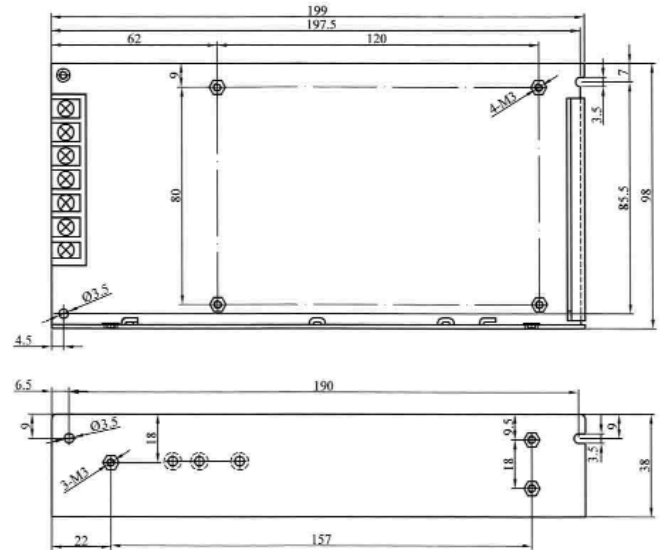
Part No.	DC output	Load regul.	Efficiency
<b>67-0560-1</b>	5V, 0~12A	1%	73%
<b>67-1260-1</b>	12V, 0~5A	1%	77%
<b>67-1560-1</b>	15V, 0~4A	0.5%	78%
<b>67-2460-1</b>	24V, 0~2.5A	0.5%	81%

## 100W SWITCHING POWER SUPPLY - CLOSED FRAME



- AC Input Range Selectable by Switch.
- Low Power Consumption.
- Approvals: UL / CUL / TUV / CB / CE.
- Protections: Over Load / Over Voltage / Short Circuit.
- 100% Full Load High Temperature Burn-in Test.
- 2 Years Warranty.
- Packaged in a Box.

Input Voltage Range: 88~132VAC/176~264VAC  
(Selectable by Switch)  
Input Frequency: 47~63Hz  
Output Adjustment Range: ±10% Rated Output Voltage  
Line Regulation: ≤0.5%



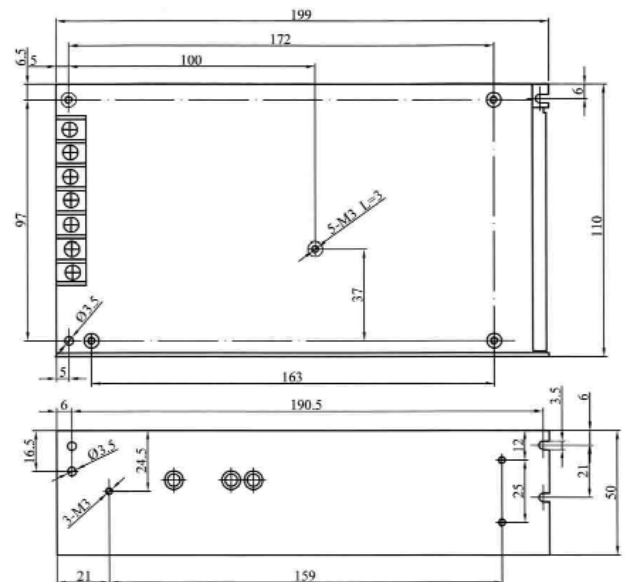
Part No.	DC output	Load regul.	Efficiency
<b>67-0510-1</b>	5V, 0~20A	1%	77%
<b>67-0710-1</b>	7.5V, 0~13.5A	1%	79%
<b>67-1210-1</b>	12V, 0~8.3A	0.5%	81%
<b>67-1510-1</b>	15V, 0~6.8A	0.5%	82%
<b>67-2410-1</b>	24V, 0~4.2A	0.5%	84%

## 150W SWITCHING POWER SUPPLY - CLOSED FRAME



- AC Input Range Selectable by Switch.
- Low Power Consumption.
- Approvals: UL / CUL / TUV / CB / CE.
- Protections: Over Load / Over Voltage / Short Circuit.
- 100% Full Load High Temperature Burn-in Test.
- 2 Years Warranty.
- Packaged in a Box.

Input Voltage Range: 85~264VAC; 120~370VDC  
(Selectable by Switch)  
Input Frequency: 47~63Hz  
Output Adjustment Range: ±10% Rated Output Voltage  
Line Regulation: ≤0.5%



Part No.	DC output	Load regul.	Efficiency
<b>67-0515-1</b>	5V, 0~30A	1%	78%
<b>67-0715-1</b>	7.5V, 0~20A	1%	80%
<b>67-0915-1</b>	9V, 0~16.5A	1%	80%
<b>67-1215-1</b>	12V, 0~12.5A	0.5%	82%
<b>67-4815-1</b>	48V, 0~3.1A	0.5%	87%

**NOTE:**

These AC Adapters are unregulated (except the 68-122-1, 68-519-1 and all 68-XXXXPS-1). All voltage ratings shown are at rated load. For instance a 12volt /500mA unit has an output of 12volts at 500mA. If the load is less than 500mA the output voltage will be higher. Exceeding the output current will damage the adapter. Approximate output graphs are available at the bottom of this page.



CSA/UL wall mount adapters with **2.1mm or 2.5 mm output plug**. Most available in **centre negative** or **centre positive**.



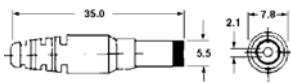
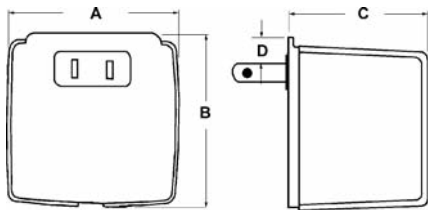
68-125-1



68-121-1

<b>68-650-1</b>	6VDC @ 500mA	centre negative
<b>68-650P-1</b>	6VDC @ 500mA	centre positive
<b>68-901A-1</b>	9VAC @ 1 Amp	AC Output
<b>68-950-1</b>	9VDC @ 500mA	centre negative
<b>68-950P-1</b>	9VDC @ 500mA	centre positive
<b>68-121-1</b>	12VDC @ 1A	centre negative
<b>68-121P-1</b>	12VDC @ 1A	centre positive
<b>68-121A-1</b>	12VAC @ 1A	AC Output
<b>68-125-1</b>	12VDC @ 500mA	centre negative
<b>68-125P-1</b>	12VDC @ 500mA	centre positive
<b>68-125P-2.5</b>	12VDC @ 500mA	centre positive
<b>68-128-1</b>	12VDC @ 800mA	centre negative
<b>68-128P-1</b>	12VDC @ 800mA	centre positive
<b>68-128P-2.5</b>	12VDC @ 800mA	centre positive
<b>68-163A-1</b>	16VAC @ 300mA	AC Output
<b>68-242-1</b>	24VDC @ 200mA	centre negative
<b>68-244-1</b>	24VDC @ 350mA	centre negative
<b>68-246-1</b>	24VDC @ 600mA	centre negative

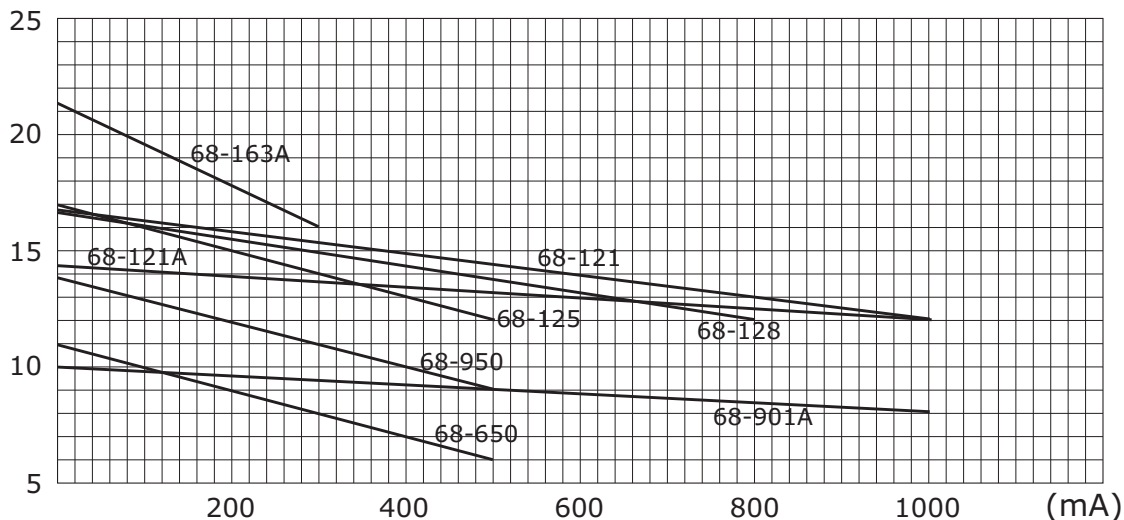
**ADAPTER DIMENSIONS**



**2.1mm plug**

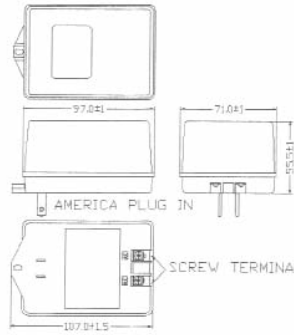
Part #	A	B	C	D
68-650	1.775	2.323	1.555	.354
68-901	2.189	3.055	1.772	.420
68-950	1.772	2.520	1.555	.375
68-121	2.504	3.212	2.055	.420
68-125	1.772	2.716	1.555	.375
68-128	2.189	3.252	1.772	.420
68-163	1.772	2.323	1.555	.354
68-242	1.772	2.520	1.555	.375
68-244	2.189	3.055	1.772	.420
68-246	2.504	3.212	2.055	.420

**(V) AC Adapter Characteristic Curves**





## SCREW TERMINAL AC ADAPTERS



<b>Input:</b>		
Voltage:	120V	
Frequency:	60Hz	
Power:	48VA	
<b>Output:</b>		
Voltage:	16.5VAC ± 5%	<b>(68-162AS-1)</b>
	24.5VAC ± 5%	<b>(68-241AS-1)</b>
Current:	2.42A	<b>(68-162AS-1)</b>
	1.67A	<b>(68-241AS-1)</b>
Power:	40VA	
Operating Temp.:	-10°C ~ 40°C	
<b>68-162AS-1</b>	16.5VAC ± 5%	
<b>68-241AS-1</b>	24.5VAC ± 5%	

## UNIVERSAL ADAPTERS



These multi-voltage adapters feature polarity reversing switch and universal output plugs to fit any application.

<b>68-514-1</b>	3, 4.5, 6, 7.5, 9, 12VDC @ 500mA
<b>68-518-1</b>	3, 4.5, 6, 7.5, 9, 12VDC @ 800mA

### 2.1mm-2.5 DC ADAPTER



The 2.1mm to 2.5mm DC Power Plug Adapter is designed to convert your 2.1mm plug to a 2.5mm plug

<b>68-100-0</b>	Bulk
<b>68-100-1</b>	Display Package

### 2.1mm POLARITY CHANGER



Center positive jack to center negative plug and vice versa (Black color)

<b>68-102-0</b>	Bulk
<b>68-102-1</b>	Display Package

### 2.1 to 2.5mm POLARITY CHANGER



Center positive 2.1mm jack to center negative 2.5mm plug and vice versa (Gray color)

<b>68-103-0</b>	Bulk
<b>68-103-1</b>	Display Package

## 5VDC 1Amp USB CHARGER



Small, compact 1Amp USB charger suitable for most cell phones including iPhone, Samsung, etc. also, iPod and other makes of tablets. Will basically charge any device that uses USB port to charge.

<b>68-105-0</b>	Bulk
<b>68-105-1</b>	Display Package

## USB CIGARETTE LIGHTER PLUG CHARGER



- Standard USB output can be used as charger for Touch, iPhone4, iPad, MP3, MP4, PSP, GPS etc
- Built-in smart protector makes it safe and reliable
- 2-side spring design to prevent plugs to slide from cigarette lighter
- Low power consumption, low operating temperature and long working life
- LED light shows charging status

<b>68-106-0</b>	Bulk
-----------------	------

**MODE ELECTRONICS LTD.**  
**211 - 2999 UNDERHILL AVE.,**  
**BURNABY, B.C., CANADA, V5A 3C2**  
**Phone: 604-435-6633**  
**Fax: 604-435-8890**  
**Toll Free: 1-800-663-4992**  
**Web Site: www.mode-elec.com**



**COMPACT TRAVEL ADAPTER**

This compact travel adapter contains plug adapters for almost all countries including UK, Europe, US/Canada, Australia, etc. and the best part is they are nested in a small, easy to pack box. Also includes a handy guide to show the plug types in each country.

**68-110-1** Display Pkg.



**UNIVERSAL TRAVEL ADAPTER WITH USB**

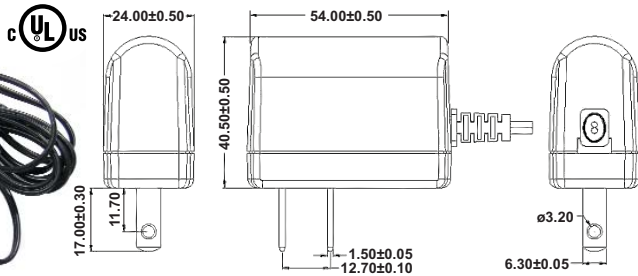
With this adapter you can use power in over 150 countries. Compact design with plug control knob. USB can be used for iPod, iPhone, Blackberry, Motorola, Nokia, Samsung and other powered 5VDC devices.

- AC power rated at 6A
- USB power rated at 500mA
- Can be used with power outlets in USA/Europe/Australia/UK/Japan/PRC
- One universal outlet fits most standard plugs.
- Comes with power indicator
- Plastic housing material: PC-94V0

**68-111-1** Display Pkg.

**SWITCHING POWER SUPPLIES  
REGULATED OUTPUT**

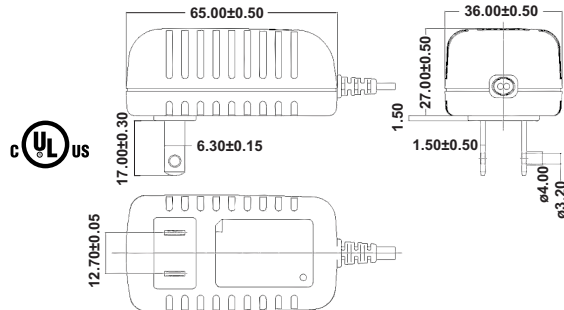
These switching power supplies will accept input voltages of 90-240VAC 50/60Hz and will provide a constant output voltage (within approx. 10%) from no load to full rated current load. All are cULus approved as well as CE and other approvals. The desk top units come complete with power cords.



2.1mm centre positive  
Wall Mount

**68-6500PS-1**  
**68-9006PS-1**

6VDC @ 0.5A  
9VDC @ 0.6A



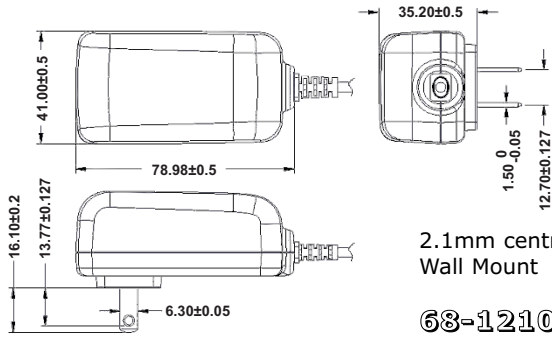
2.1mm centre positive  
Wall Mount

**68-1206PS-1**

12VDC @ 0.6A



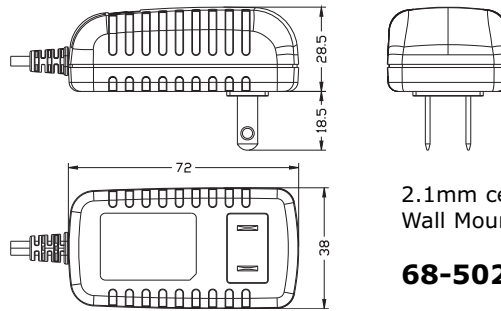
**Visit our Web Site at  
<http://www.mode-elec.com>**



2.1mm centre positive  
Wall Mount

**68-1210PS-1**

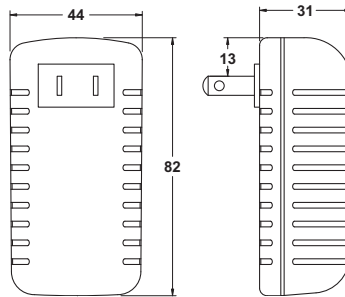
12VDC @ 1A



2.1mm centre positive  
Wall Mount

**68-5020PS-1**

5VDC @ 2A



2.1mm centre negative  
Wall Mount

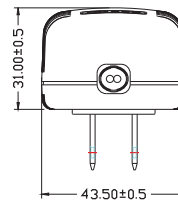
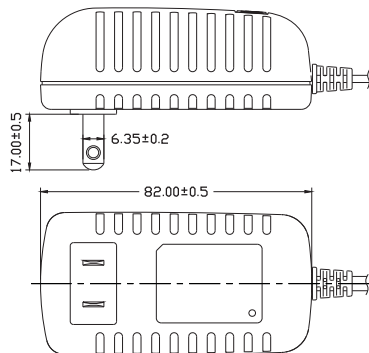
**68-122-1**

12VDC @ 1.25A

2.1mm centre positive  
Wall Mount

**68-122P-1**

12VDC @ 1.25A

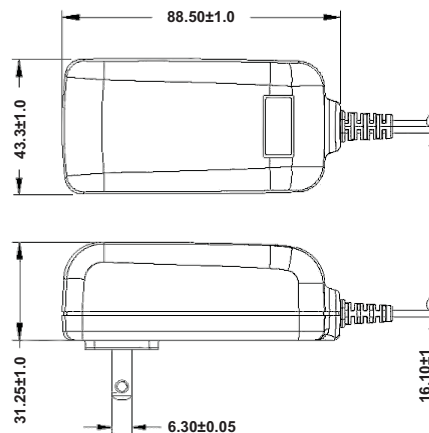


2.1mm centre positive  
Wall Mount



**68-5030PS-1**  
**68-6020PS-1**  
**68-9015PS-1**  
**68-1216PS-1**

5VDC @ 3A  
6VDC @ 2A  
9VDC @ 1.5A  
12VDC @ 1.6A

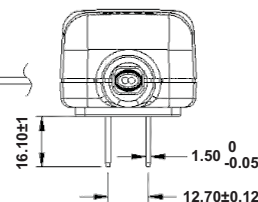


2.1mm centre positive  
Wall Mount

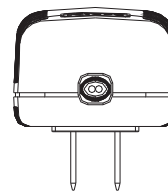
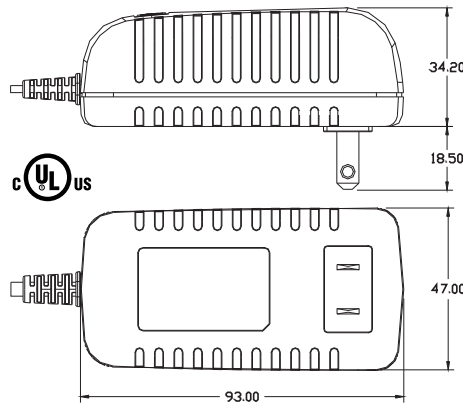
**68-9022PS-1**  
**68-2408PS-1**



9VDC @ 2.2A  
24VDC @ 0.8A



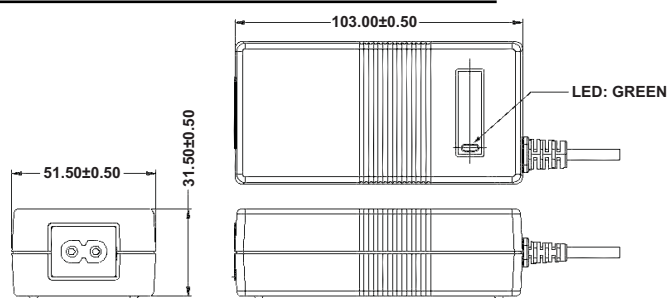




2.1mm centre positive  
Wall Mount



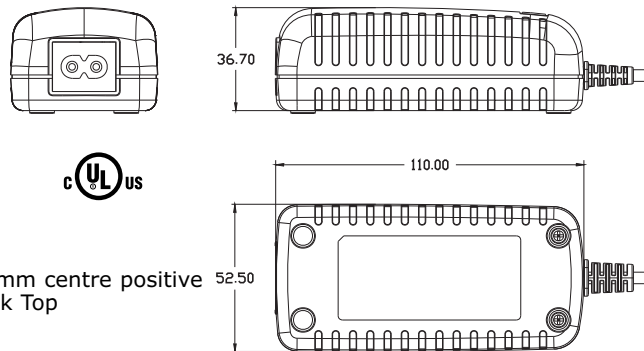
**68-6030PS-1** 6VDC @ 3.0A  
**68-1225PS-1** 12VDC @ 2.5A



2.1mm centre positive  
Desk Top

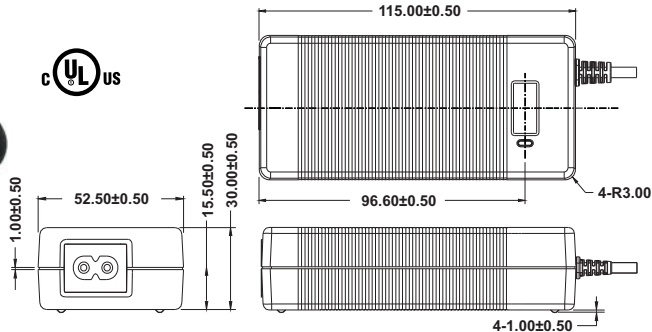


**68-5050PS-1** 5VDC @ 5A  
**68-1230PS-1** 12VDC @ 3A



2.1mm centre positive  
Desk Top

**68-2420PS-1** 24VDC @ 2A



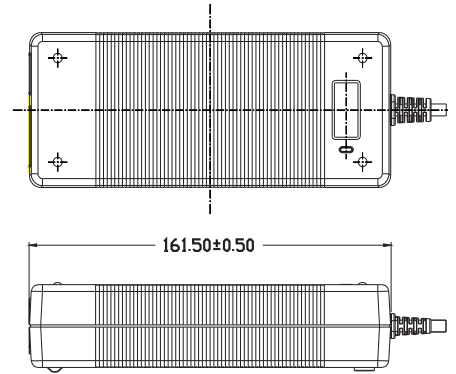
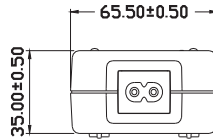
2.1mm centre positive  
Desk Top



**68-1250PS-1** 12VDC @ 5A  
**68-1533PS-1** 15VDC @ 3.3A  
**68-2427PS-1** 24VDC @ 2.7A



2.1mm centre positive  
Desk Top



**68-1270PS-1** 12VDC @ 7A



## UNIVERSAL SWITCHING ADAPTER REGULATED OUTPUT

This multi-output switching power supply can be used for the output voltages listed below with loads from 0-1.7Amps. The unit comes with an assortment of changeable plugs suitable for most requirements. The plugs can be easily changed to centre positive or negative. The output voltage is selected by a switch on the back of the adapter.

**68-519-1** 3, 4.5, 6, 7.5, 9, 12VDC @ 1.7A



## UNIVERSAL LAPTOP ADAPTER

This 68-520-1 Universal Laptop Adapter has switchable output voltages of 15, 16, 18.5, 19.5, 20, 22 and 24 VDC with 9 different plugs for various makes of laptops such as Fujitsu, Sony, Samsung, Liteon, NEC, Toshiba, Compaq, IBM, Gateway, Dell, Apple ...

**Note:** The little plastic strips shown in the picture can be placed over the voltage selector switch to prevent an accidental voltage change.

Input Voltage: 100-240VAC 50-60Hz  
Output: 90 watts

**68-520-1** 15, 16, 18.5, 19.5, 20, 22, 24VDC

*A note about regulated switching power supplies: some use a sense return line at the output plug to provide a consistent voltage at the output plug regardless of current draw. Removing the output socket or cutting the cord on these adapters will remove the sense line and cause the output voltage to soar, damaging the circuit and voiding your warranty. Do not modify this adapter.*

**NOTE:** There are many more adapters available on special order. If our standard stock units are not suitable please check for availability and minimum order quantities. We would be pleased to quote on your requirements.