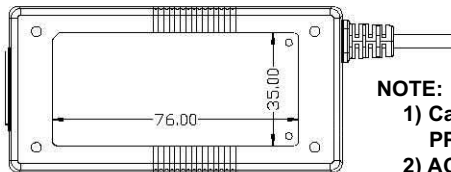
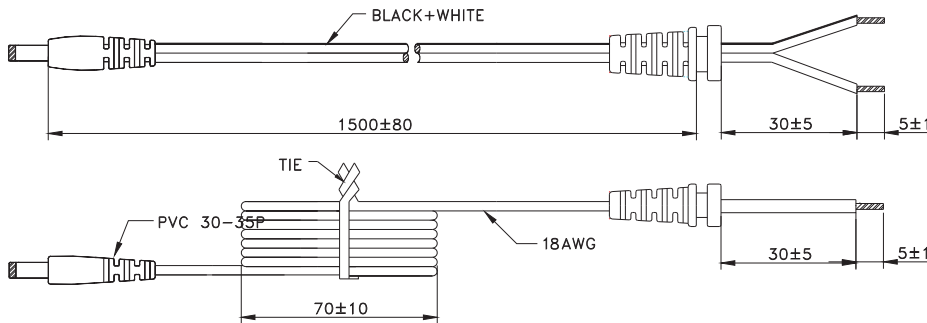
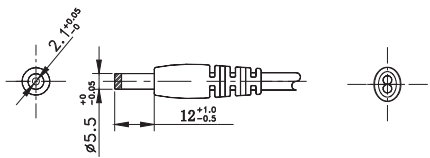


UL US
LISTED
E215890



NOTE:
1) Case cover & chassis material:
PPHOX (UL94V-1) BLACK (NO KTEC)
2) AC PIN MATERIAL: BRASS (Ni PLATED)



NOTE
1) WIRE TYPE: VW-1 2468 80°C 300V L=1500mm 2C 18AWG BLACK+WHITE
BLACK and WHITE - Positive BLACK - Negative
2) THE POLARITY:

Electrical Specification

Input:

Rate Input Voltage: 100-240VAC
Operating Range: 90-264VAC
Rated Input Current: 1.2A Max.
Rated Input Frequency: 50/60Hz ± 3Hz
Maximum Input Power: 43.74W
Input Current (No Load): ≤ 20mA
Power Cons. (No Load): Max. 0.5W

Output:

Voltage: 12VDC
Voltage Range: 12VDC ± 5%
Minimum Load Current: 0.05A
Rating Load Current: 2.5A

Dimensions: 103 x 31.5 x 51.5 mm
Weight: 205 g (Max.)
Operating Temperature: 0°C ~ 35°C
Storage Temperature: -20°C ~ 80°C
Operating Humidity: 10% ~ 90% (Non Condensing)

TITLE SWITCHING POWER SUPPLY		SCALE
12VDC / 3000mA		NTS
DRAWING NO.	68-1230PS	
		UNITS mm
FILE NAME	68-1230PS.pdf	SHEET 1/1