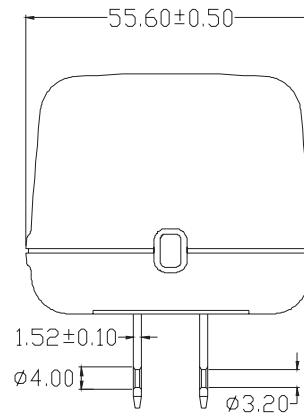
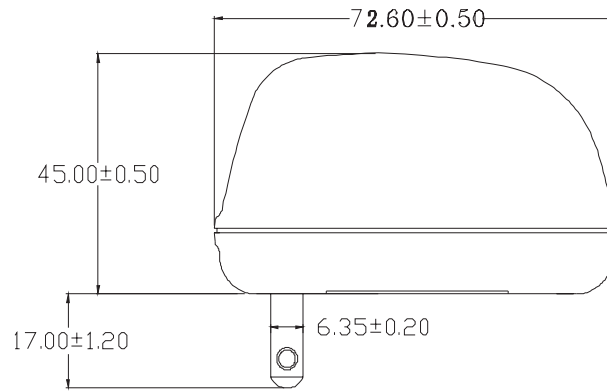
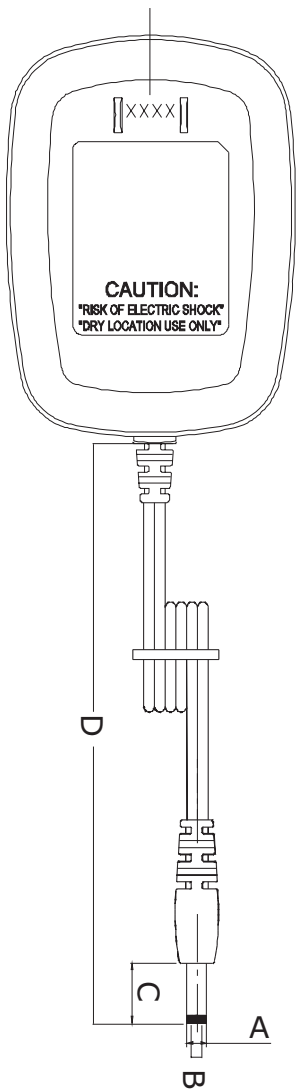


XX (MONTH) XX (YEAR)



**2.1mm Output Plug
AC Output**

Electrical Specification

Input:

Voltage: 120V
Frequency: 60Hz
Power: 18 W

Output:

Voltage: 12VAC
Current: 1000 mA

	A	B	C	D
Dimension	5.5	2.1	9.0	6FT
Tolerance	+0/-0.1	+0/-0.1	+1/-0.5	MIN

TITLE AC ADAPETER		SCALE
DRAWING NO. 68-121A		NTS
FILE NAME 68-121A.pdf		UNITS mm
		SHEET 1/1



Mode Electronics Part Number 68-121A-1