

PART#/PRODUCT SEARCH

50-430-0

GO >>

[Item Index](#)

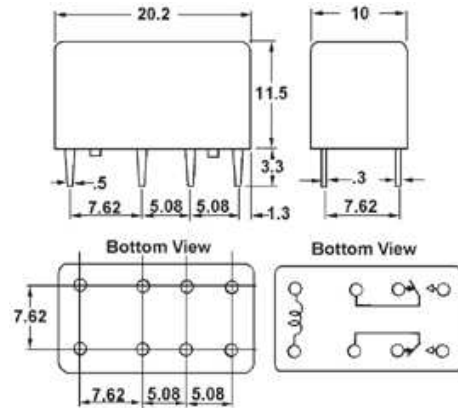
- Mode Catalog
- Lenline Part# Convert
- AC Adapters
- Audio Products
- Battery Holders
- Bottles and Dispensers
- Brushes
- Buzzers/Alarms
- CATV Products
- Circuit Breakers
- Coaxial Connectors
- Computer Accessories
- Connectors
- DC Power Products
- Earphones/Microphones
- Fans
- Fuseholders/Fuses
- Hardware
- IC Sockets
- Knobs
- LED Products
- Lamps/Pilot Lamps
- Miscellaneous Items
- Plastic Boxes
- Potentiometers/L-Pads
- Power Cords/Jacks/Bars
- RF Adapters
- Relays
- Rubber Feet/Grommets
- Speakers/Speaker Wire
- Switches
- Telephone Products
- Test Equipment
- Tools/Tool Cases
- Transformers
- Video Products
- Wiring Products
- Latent Fingerprint Brush**



1 AMP PC RELAY (16-PIN DIP)

- High switching capacity: 125VA/60W
- Matching 16 pin IC socket
- Epoxy wash tight for automatic wave soldering and cleaning
- Bifurcated contacts

Contact Material: AgNi + Au plated
Max. Switching Voltage: 240VAC/120VDC
Max. Switching Power: 125VA/60W.
Rated Load: 1A@125VAC or 2A@30VAC
Insulation Resistance: 1000MΩ
Dielectric Strength: 1500VAC
Operate/Release Time max.: 7ms/4ms
Mechanical Endurance min.: 1 x 10⁸
Electrical Endurance min.: 3 x 10⁵ OPS



Circuitry 2C
Oper. Voltage 5VDC

50-430-0 Bulk
50-430-1 Display Pkg