

PART#/PRODUCT SEARCH
44-573-0

[GO >>](#) [Item Index](#)

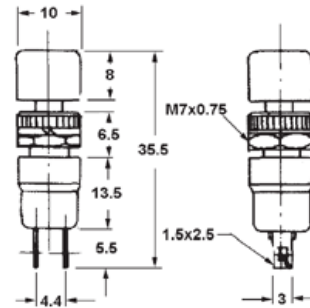
- Mode Catalog
- Lenline Part# Convert
- AC Adapters
- Audio Products
- Battery Holders
- Bottles and Dispensers
- Brushes
- Buzzers/Alarms
- CATV Products
- Circuit Breakers
- Coaxial Connectors
- Computer Accessories
- Connectors
- DC Power Products
- Earphones/Microphones
- Fans
- Fuseholders/Fuses
- Hardware
- IC Sockets
- Knobs
- LED Products
- Lamps/Pilot Lamps
- Miscellaneous Items
- Plastic Boxes
- Potentiometers/L-Pads
- Power Cords/Jacks/Bars
- RF Adapters
- Relays
- Rubber Feet/Grommets
- Speakers/Speaker Wire
- Switches
- Telephone Products
- Test Equipment
- Tool Cases
- Tools
- Transformers
- Video Products
- Wiring Products
- Latent Fingerprint Brush**

PUSH BUTTON SWITCH

1A @ 125VAC



Enlarge



SPST
off-(on) N/O
Black button

44-573-0 Bulk
44-573-1 Display Pkg

