

PART# / PRODUCT SEARCH

44-492-0

GO >>

[Item Index](#)

Mode Catalog

Lenline Part# Convert

AC Adapters

Audio Products

Battery Holders

Bottles and Dispensers

Brushes

Buzzers/Alarms

CATV Products

Circuit Breakers

Coaxial Connectors

Computer Accessories

Connectors

DC Power Products

Earphones/Microphones

Fans

Fuseholders/Fuses

Hardware

IC Sockets

Knobs

LED Products

Lamps/Pilot Lamps

Miscellaneous Items

Plastic Boxes

Potentiometers/L-Pads

Power Cords/Jacks/Bars

RF Adapters

Relays

Rubber Feet/Grommets

Speakers/Speaker Wire

Switches

Telephone Products

Test Equipment

Tools/Tool Cases

Transformers

Video Products

Wiring Products

Latent Fingerprint Brush

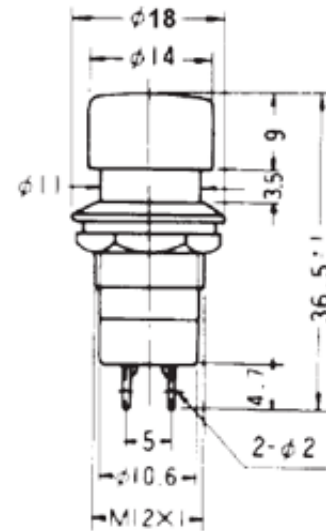
PUSH BUTTON SWITCH

3A @ 125VAC
12mm mounting hole

RoHS
compliant



Enlarge



SPST
off-(on) N/O
Black button

44-492-0 Bulk
44-492-1 Display Pkg

