

PART#/PRODUCT SEARCH

41-237B-0

[GO >>](#)

[Item Index](#)

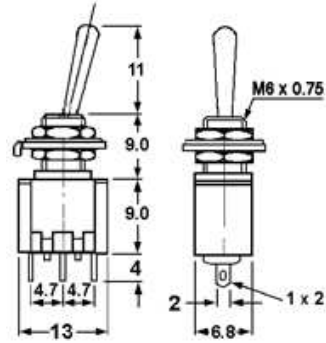
- Mode Catalog
- Lenline Part# Convert
- AC Adapters
- Audio Products
- Battery Holders
- Bottles and Dispensers
- Brushes
- Buzzers/Alarms
- CATV Products
- Circuit Breakers
- Coaxial Connectors
- Computer Accessories
- Connectors
- DC Power Products
- Earphones/Microphones
- Fans
- Fuseholders/Fuses
- Hardware
- IC Sockets
- Knobs
- LED Products
- Lamps/Pilot Lamps
- Miscellaneous Items
- Plastic Boxes
- Potentiometers/L-Pads
- Power Cords/Jacks/Bars
- RF Adapters
- Relays
- Rubber Feet/Grommets
- Speakers/Speaker Wire
- Switches
- Telephone Products
- Test Equipment
- Tools/Tool Cases
- Transformers
- Video Products
- Wiring Products
- Latent Fingerprint Brush**



Enlarge

STANDARD SUB-MINIATURE SWITCH

6A @ 125VAC



SPDT
(on)-off-(on)
() Denotes momentary contact

- 41-237B-0** Bulk
- 41-237B-1** Display Pkg