

- NOTE:**
- 1) Case cover & chassis material: PPHOX (UL94V-1) BLACK (NO KTEC)
 - 2) AC PIN MATERIAL: BRASS (Ni PLATED)
 - 3) LEAD FREE

Electrical Specification

Input:

- Rate Input Voltage: 100-240VAC
- Operating Range: 90-264VAC
- Rated Input Current: 0.4A Max.
- Rated Input Frequency: 50/60Hz ± 3Hz
- Maximum Input Power: 17.20W
- Input Current (No Load): ≤ 25mA
- Power Cons. (No Load): Max. 0.3W

Output:

- Voltage: 9VDC
- Voltage Range: 9VDC ± 5%
- Current Range: Min. 0.0A, Max. 1.5A

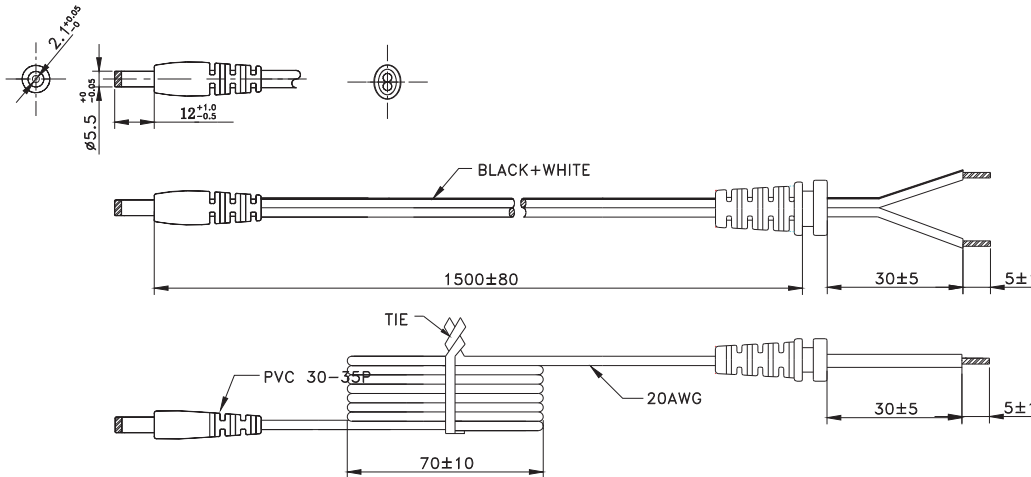
Dimensions: 82 x 43.5 x 31 mm

Weight: 143 g (Max.)

Operating Temperature: 0°C ~ 40°C

Storage Temperature: -20°C ~ 80°C

Operating Humidity: 10% ~ 90% (Non Condensing)



- NOTE**
- 1) WIRE TYPE: VW-1 2468 80°C 300V L=1500mm 2C 20AWG BLACK+WHITE
BLACK and WHITE - Positive BLACK - Negative
 - 2) THE POLARITY:

TITLE SWITCHING POWER SUPPLY		SCALE
9VDC / 1500mA		NTS
DRAWING NO. 68-9015PS		
		UNITS mm
FILE NAME 68-9015PS.pdf		SHEET 1/1



Mode Electronics Part Number 68-9015PS-1