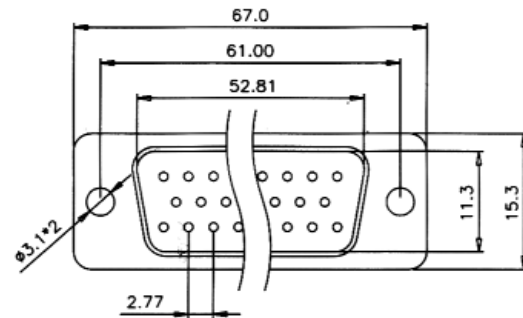
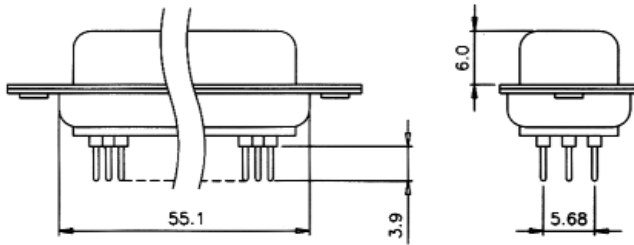


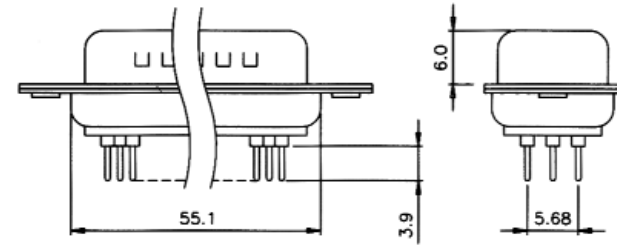
30-324-0



30-314-0



50 POSITION FEMALE



50 POSITION MALE

NOTE:

Electrical

Current Rating: 3 Amps
 Contact Resistance: < 15 Miliohms
 Insulation Resistance: > 3000 Megaohms
 Dielectric: 1000V @ 1 Minute
 Operating Temp.: -55°C to 105°C

Materials

Insulator: PBT Glass Filled UL 94V-0
 Contacts: Brass or Phosphor Bronze
 Shell: Steel
 Contact Plating: Gold Flash
 Shell Plating: Tin over Copper plating

TITLE		SCALE
PRINTED CIRCUIT MOUNT D-SUB		NTS
DRAWING NO. 30-314&324		
		UNITS mm
FILE NAME	30-314&324.pdf	SHEET 1/1



Mode Electronics Part Number 'multi-parts'