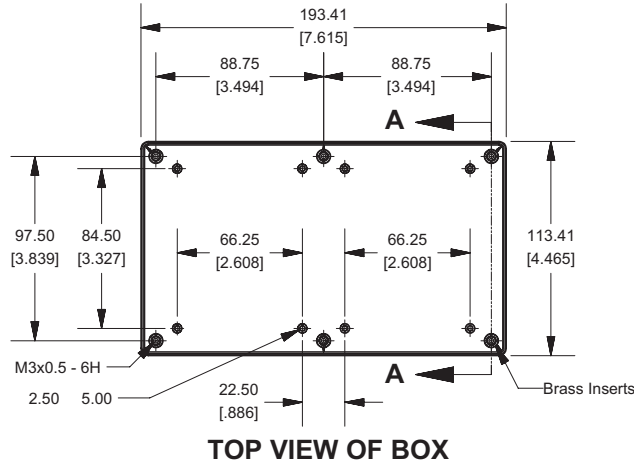
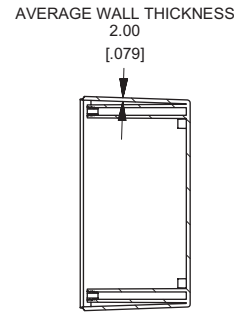


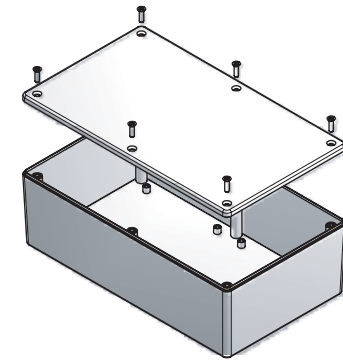
SIDE VIEW OF BOX



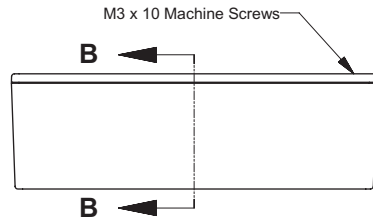
TOP VIEW OF BOX



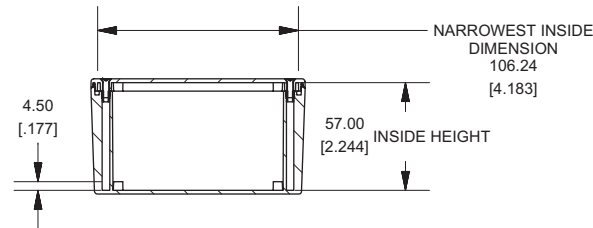
SECTION A-A



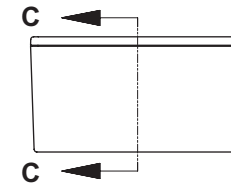
EXPLODED VIEW OF ENCLOSURE



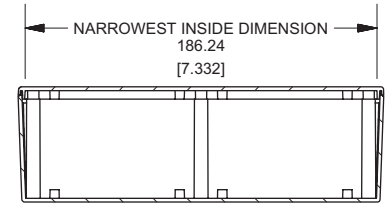
SIDE VIEW OF ENCLOSURE



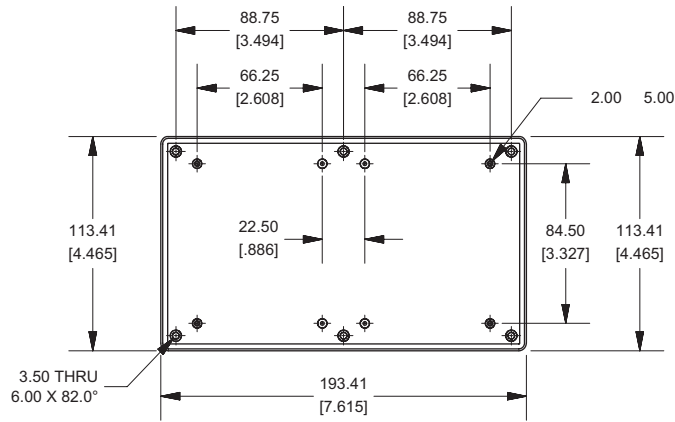
SECTION B-B



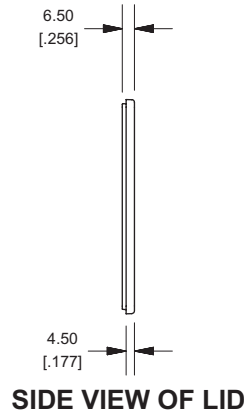
END VIEW OF ENCLOSURE



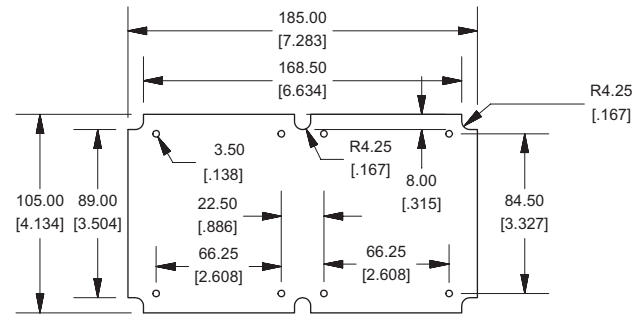
SECTION C-C



BOTTOM VIEW OF LID



SIDE VIEW OF LID



TITLE LIGHT GREY ABS PROJECT BOX		SCALE NTS
DRAWING NO. 53-581H		
FILE NAME 53-581H.pdf		UNITS mm [inch]
		SHEET 1/1



Mode Electronics Part Number **53-581H-0**