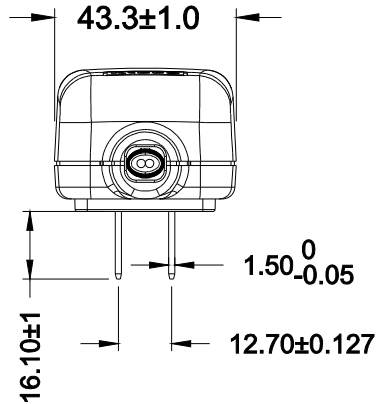
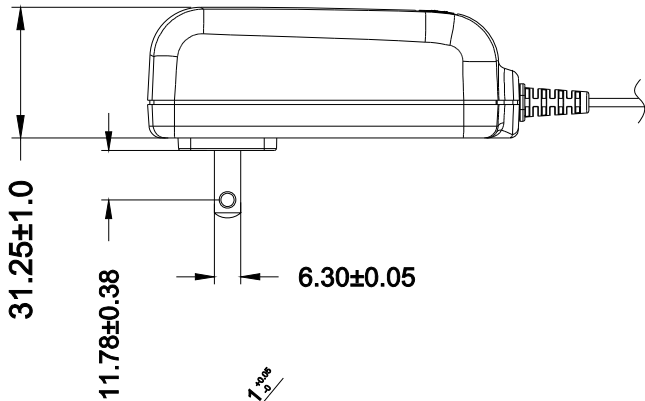


- NOTE:**
- 1) Level VI Efficiency Switching Power Supply
 - 2) Case cover & chassis material: SE-1, BLACK (NO KTEC)
 - 3) AC PIN MATERIAL: BRASS (Ni PLATED)
 - 4) RoHS



Electrical Specification

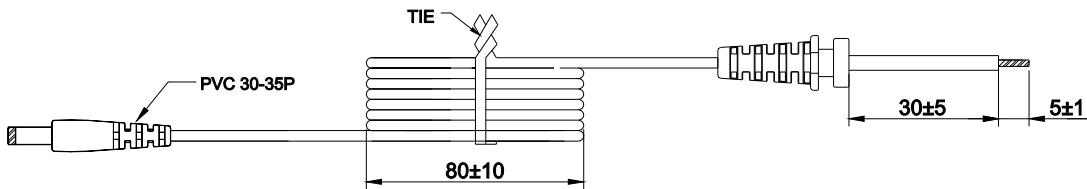
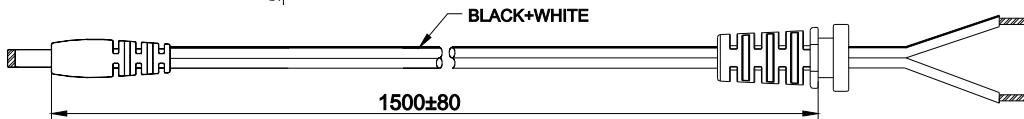
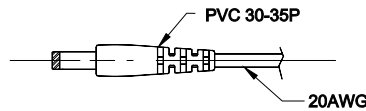
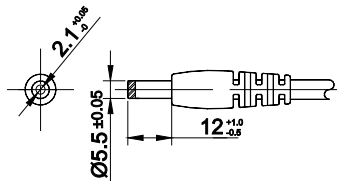
Input:

Rate Input Voltage: 100-240VAC
 Operating Range: 90-264VAC
 Rated Input Current: 0.6A Max.
 Rated Input Frequency: 50/60Hz ± 3Hz
 Maximum Input Power: 23.7W
 Input Current (No Load): ≤ 25mA
 Power Cons. (No Load): Max. 0.1W

Output:

Voltage: 12VDC
 Minimum load current: 0.0A
 Rating load current: 1.6A
 Rating output power: 19.2W

Dimensions: 88.5 x 43.3 x 31.25 mm
 Weight: 130 g (Max.)
 Operating Temperature: 0°C ~ 40°C
 Storage Temperature: -20°C ~ 80°C
 Operating Humidity: 5% ~ 90% (Non Condensing)



- NOTE: (unit:mm)**
- 1). WIRE TYPE: VW-1 80°C 300V L=1500mm 2468 20AWG 2C BLACK+WHITE
 BLACK and WHITE — Positive BLACK — Negative
 - 2). THE POLARITY:
 - 3). RoHS

TITLE SWITCHING POWER SUPPLY		SCALE
12VDC / 1.6A		NTS
DRAWING NO.	68-1216PS	
		UNITS mm
FILE NAME	68-1216PS.pdf	SHEET 1/1



Mode Electronics Part Number 68-1216PS-1