

NOTE:

- 1) Level VI Efficiency Switching Power Supply
- 2) Case cover & chassis material: PC/SE-1 BLACK (NO KTEC)
- 3) AC PIN MATERIAL: BRASS (Ni PLATED)
- 4) RoHS

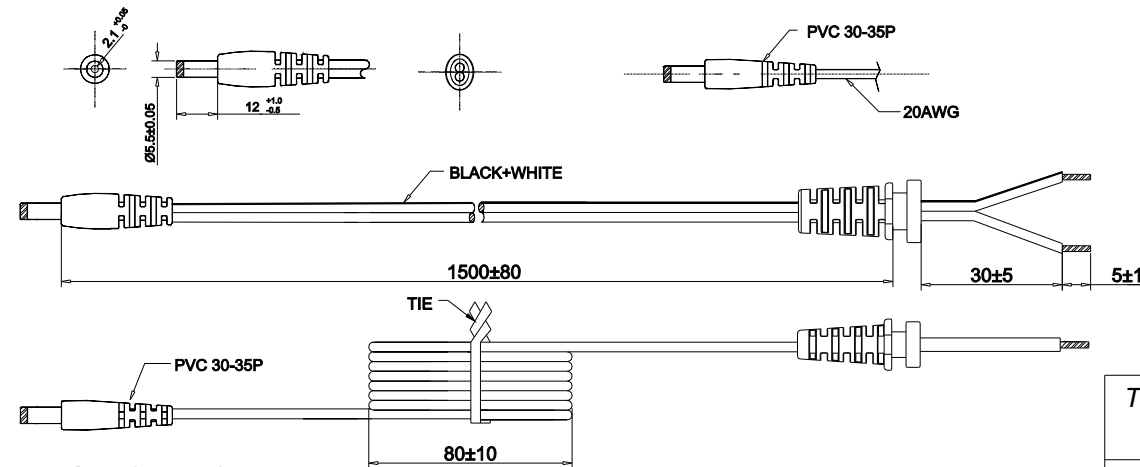
Electrical Specification

Input:

Rate Input Voltage: 100-240VAC
 Operating Range: 90-264VAC
 Rated Input Current: 0.5A Max.
 Rated Input Frequency: 50/60Hz ± 3Hz
 Maximum Input Power: 15.23W
 Input Current (No Load): ≤ 20mA
 Power Cons. (No Load): Max. 0.1W

Output:

Voltage: 6VDC
 Minimum Load Current: 0.0A
 Rated Load Current: 2.0A
 Output Power: 12W



Dimensions: 85.5 x 43.8 x 31.7 mm
 Weight: 143 g (Max.)
 Operating Temperature: 0°C ~ 40°C
 Storage Temperature: -20°C ~ 80°C
 Operating Humidity: 5% ~ 90% (Non Condensing)

NOTE: (unit:mm)

- 1).WIRE TYPE:VW-1 2468 80°C 300V L=1500mm 2C 20AWG BLACK+WHITE
 BLACK and WHITE—Positive BLACK—Negative
- 2).THE POLARITY: ⊖ ⊕
- 3).PAHS REACH ROHS

TITLE SWITCHING POWER SUPPLY		SCALE
6VDC / 2A		NTS
DRAWING NO.	68-6020PS	
		UNITS mm
FILE NAME	68-6020PS.pdf	SHEET 1/1



Mode Electronics Part Number 68-6020PS-1