

## TYPE 496



### FEATURES:

- Subminiature, low profile.
- For use in UL class B applications complies with UL & CSA.
- Sealed type available.
- PCB mount 10A rated.



### TYPICAL APPLICATIONS

- Office machine
- Machine tool
- Home appliances

CONTACT DATA	
Arrangement	1 Form A, 1 Form C
Material Code	3
Rated Load	220VAC
	120VAC
	28VDC
Material	AgCdO
Min. Load	100 mA, 12 VDC
Initial Resistance	100m at 100 mA, 6 VDC
Service Life	Mechanical
	Electrical

UL/CSA CONTACT RATINGS	
Material Code	10A, 120 VAC, Resistive
	1/4 HP, 120 VAC
	10A, 28 VDC
	10A, 12 VDC, Tungsten

SAFETY APPROVALS	
UL	E55708
CSA	LR75282

COIL DATA				
Nominal Voltage (VDC)	Resistance (Ω) ± 10%	Nominal Current (mA)	Must Operate Voltage Max. (V)	Must Release Voltage Max. (V)
5	70	71	4.0	0.5
6	100	60	4.8	0.6
9	220	41	7.2	0.9
12	400	30	9.6	1.2
24	1600	15	19.2	2.4

PART NUMBERING SYSTEM					
Relay Type	Enclosure & Terminals	Contact Arr.	Coils Voltages	Contacts	Standard or Special
496	1-Sealed 3-Flux Tight	1-SPDT 4-SPST NO	E-5VDC A-6VDC G-9VDC B-12VDC C-24VDC	3-Silver Cadmium Oxide 10A	00-Standard

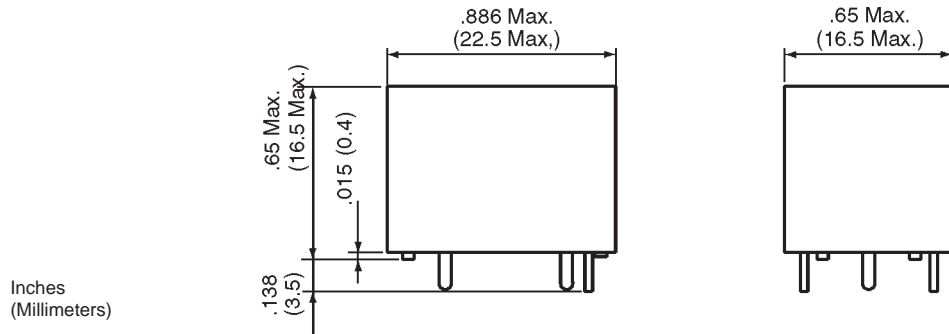
Example: 496-113200

**Stock Items:** 496-11B300, 496-11C300, 496-11E300, 496-14B300, 496-14C300, 496-14E300

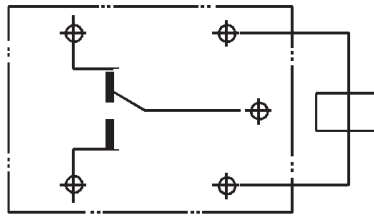
CHARACTERISTICS	
Operate time	10 mS, max.
Release time	5 mS, max.
Insulation resistance	100 M min. at 500 VDC, 50% RH
Dielectric strength	1500 Vrms, 1 min. coil to contacts 1000 Vrms, 1 min. contact to contact
Shock resistance	10 g, 11 mS, functional; 100g, destructive
Vibration resistance	DA 1.5 mm, 10-55 Hz, functional
Power Consumption	0.36 W
Ambient Temperature	-40 °C to +70 °C operating; -40°C to + 130°C storage
Weight	Approx. 13g

# TYPE 496

## DIMENSIONS

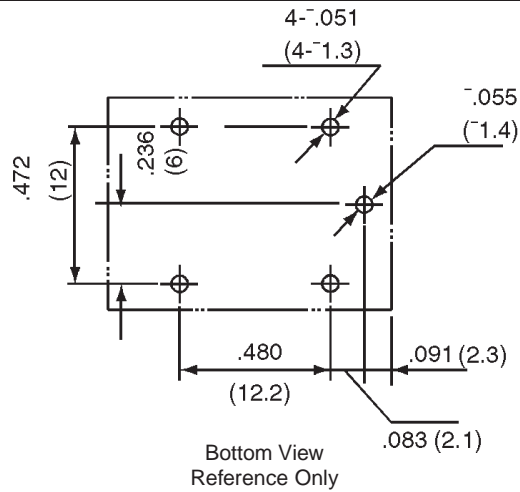


## WIRING



Bottom View

## PCB LAYOUT



### Notes:

1. All values, unless otherwise specified, are measured at ambient temperature of 23°C.
2. For maximum service life, remove tape before putting relays into service after immersion cleaning process.