

SPST-N.O. & SPDT, 7 & 10 AMPS

WIRING DIAGRAM

UL
UL Recognized
File No. E190964



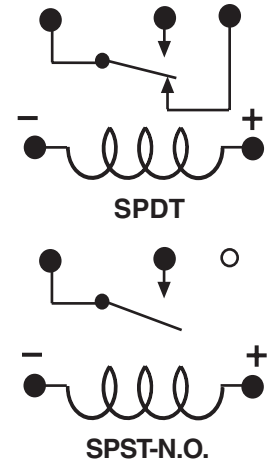
COMPLIES WITH REQUIREMENTS OF

* IEC STANDARDS 947-4-1 AND 947-5-1 LOW VOLTAGE DIRECTIVE

* IEC = INTERNATIONAL ELECTROTECHNICAL COMMISSION

UL CONTACT LOAD RATINGS TABLE

LOAD	LOAD VOLTAGE/ CURRENT	SPST-NO	SPDT
RESISTIVE	240 VAC 30 VDC	10 AMP 10 AMP	7 AMP 7 AMP
MOTOR	120 VAC	1/6 HP	1/10 HP
*POWER	WATTS (VDC)	300 WATTS 2500 VA	210 WATTS 1750 VA



GENERAL SPECIFICATIONS (@ 25°C)

	UNITS	
COIL		
Pull-in Voltage AC (50/60 Hz):	% of nominal	Not applicable
Pull-in Voltage DC:	% of nominal	70
Dropout Voltage AC (50/60 Hz):	% of nominal	Not applicable
Dropout Voltage DC:	% of nominal	10
Maximum Voltage:	% of nominal	110
Resistance:	% ±	10
Coil Power AC (60 Hz):	VA	Not applicable
Coil Power DC:	W	0.2
CONTACTS		
Contact Material:		Silver alloy
Contact Rating AC Amperes (AC1):	A	SPST NO: 10, SPDT: 7
Contact Rating AC Voltage:	V	240
Contact Rating DC Amperes (DC1):	A	SPST NO: 10, SPDT: 7
Contact Rating DC Voltage:	V	30
Contact Rating :	VA	SPST NO: 2500, SPDT: 1750
Horse Power (AC):	HP	SPST NO: 1/6 @ 120
Pilot Duty (60 Hz):		SPDT: 1/10 @ 120
TIMING		
Operate Time:	ms	10
Release Time:	ms	10
DIELECTRIC STRENGTH		
Coil to Contacts:	V rms	2000
Across Open Contacts:	V rms	1000
Pole to Pole:	V rms	Not applicable
Contacts to Frame:	V rms	Not applicable
Insulation Resistance:	megohms minimum @ VDC	1000 @ 500
VIBRATION RESISTANCE		
Functional:	g's	1.5 DA 10-55Hz
SHOCK RESISTANCE		
Functional:	g's	30
TEMPERATURE		
Operating, AC Lower:	°C	Not applicable
Operating, AC Upper:	°C	Not applicable
Operating, DC Lower:	°C	-40
Operating, DC Upper:	°C	+70
Storage, Lower:	°C	-40
Storage, Upper:	°C	+100
LIFE EXPECTANCY		
Electrical @ Rated Load (AC1):	operations	100,000
Mechanical @ no Load :	operations	10,000,000
MISCELLANEOUS		
Operating Position:		Any
Insulation Material:		Glass
Enclosure Material:		UL 94v-0 plastic epoxy seal
Cover Protection Category:	IP	67
Weight:	grams	5.5

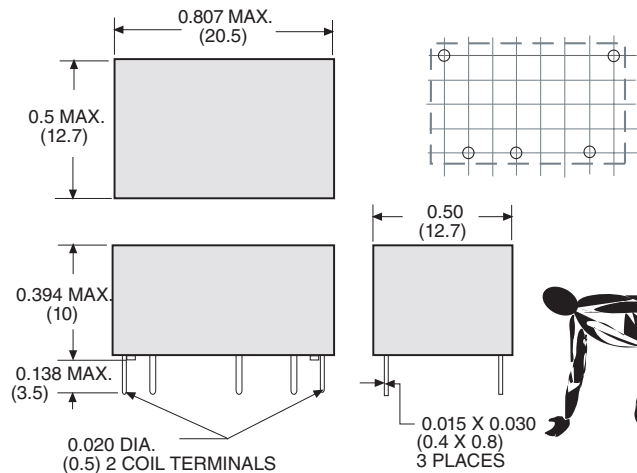
* Voltage and Power Ratings in the table Above are Independent Maximums and no Single Value is to be Exceeded.



DTL COMPATIBLE SINGLE-SIDE STABLE DESIGN.
5KV SURGE RESISTANCE COIL TO CONTACT MEETS
INTERNATIONAL SPACING OF 4 mm.

OUTLINE DIMENSIONS

DIMENSIONS SHOWN IN INCHES & (MILLIMETERS).



PRINTED CIRCUIT MOUNTING HOLE LAYOUT
(TOP VIEW SHOWN AT ACTUAL SIZE ON 0.1 GRID)

STANDARD PART NUMBERS	CONTACT CONFIGURATION	COIL MEASURED @ 25 °C	
		NOMINAL INPUT VOLTAGE	NOMINAL RESISTANCE (OHMS)
10 AMP			
276AXXH-5D	SPST-NO	5 VDC	125 Ω
276AXXH-6D	SPST-NO	6 VDC	180 Ω
276AXXH-12D	SPST-NO	12 VDC	720 Ω
276AXXH-24D	SPST-NO	24 VDC	2880 Ω
7 AMP			
276XAXH-5D	SPDT	5 VDC	125 Ω
276XAXH-6D	SPDT	6 VDC	180 Ω
276XAXH-12D	SPDT	12 VDC	720 Ω
276XAXH-24D	SPDT	24 VDC	2880 Ω