

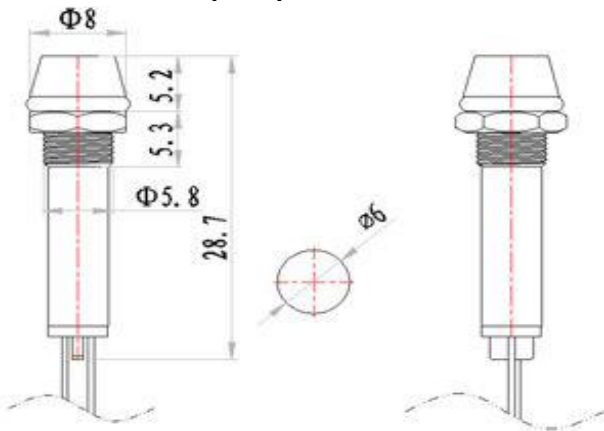
**Sales Outline Drawing**

**Specifications:**

Panel Hole	6 mm
LED Color Available	Red, Green, Blue, Yellow, or White
Lens Color	Same as LED
Rated Voltage Available	See table below
Max Current Draw	20 mA
Storage & Operating Temperature	-20 °C to +85 °C
Ingress Protection Rating	IP65
LED Life	70,000 hours
Weight (Typical)	3.6 g
Housing Material	Nickel-plated Brass, PA66, and Polycarbonate
Termination Type	Pin terminals
Pin Length	15±10mm
Max Nut Torque	5.9 ft-lbs (8 Nm)
Soldering Conditions	Max 260°C (500°F) for 3 seconds
Panel Thickness	0.04-0.16" (1-4mm)
Hardware Kit	LM6-FSQ6

**ROHS Compliant**

**Dimensions (mm):**



**Part Number:**

**FL1M-6CJ-1-X#V**



	Light Intensity	Dominant Wavelength	Viewing Angle
Red	1000 -1500 mcd	622 nm	35°
Green	8000 -10000 mcd	522 nm	60°
Yellow	1000 -1500 mcd	590 nm	35°
Blue	2000 - 3000 mcd	464 nm	35°

Rated Voltage	2 VDC	3 VDC	6 VDC	12 VDC	24 VDC	48 VDC
Red	1.8-2.2V	2.7-3.3V	5.4-6.6V	10.8-13.2V	21.6-26.4V	43.2-52.8V
Green	N/A	3-3.2V	5.4-6.6V	10.8-13.2V	21.6-26.4V	43.2-52.8V
Blue	N/A	3.12-3.2V	5.4-6.6V	10.8-13.2V	21.6-26.4V	43.2-52.8V
Yellow	2-2.2V	2.7-3.3V	5.4-6.6V	10.8-13.2V	21.6-26.4V	43.2-52.8V
White	N/A	3-3.2V	5.4-6.6V	10.8-13.2V	21.6-26.4V	43.2-52.8V