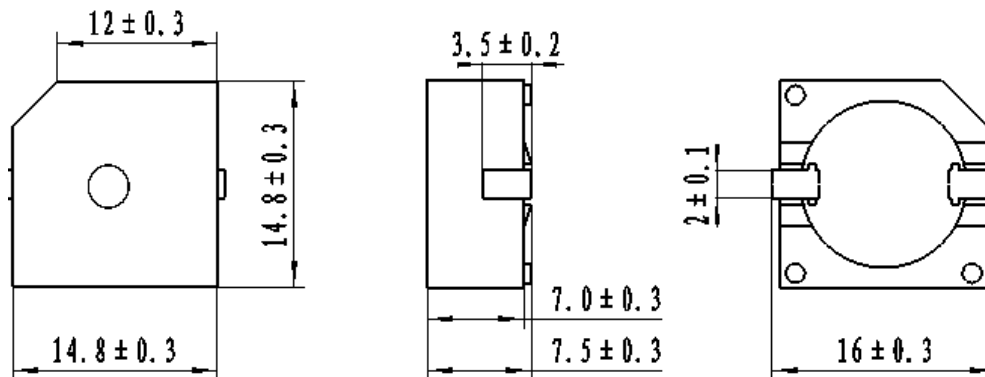
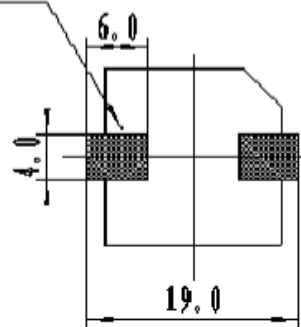


**Sales Outline Drawing**Revision **D****Specifications:**

Oscillation Frequency (Hz)	3650 ± 500
Operating Voltage (Vp-p)	1 ~ 30
Rated Voltage (Vp-p)	7.0
Current Consumption Max. (mA)	5 at Rated Voltage
Sound Pressure Level (dB/min)	85 at 10cm at Rated Voltage
Capacitance (pF)	15,000 ± 30% at 120 Hz
Operating Temperature (°C)	-30 ~ +85
Storage Temperature (°C)	-40 ~ +85
Type of Connection Terminal	SMD
Housing	PPS plastic resin (Color : Black)
Weight (Grams)	1.9
Condition by reflow soldering (°C)	255 ± 5 / within 5 sec
Condition by hand soldering (°C)	350 ± 20 / within 5 sec
Options	For other options contact factory

**Dimensions:** (units: mm)**RoHS Compliant****Suggested Pad PCB-Layout****Packaging:**

Parts are supplied on reels (300 pcs per tape and reel).

Units do not come with wash label and are not appropriate for aqueous wash.

## Direct Drive Transducer Operation:

Direct drive transducer devices do not have any included DC circuitry, so the user must apply a sine or square wave with the appropriate rated frequency. A square wave will typically result in more sound level than a sine wave. The higher the peak-to-peak voltage applied (up to the maximum rated voltage), the higher the resulting sound level.

## Frequency Response:

