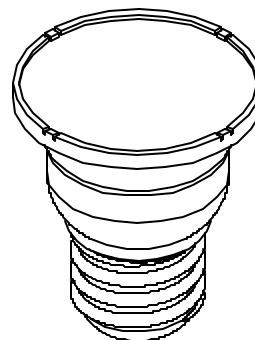
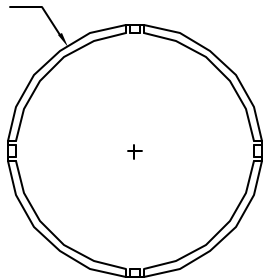


UNCONTROLLED DOCUMENT

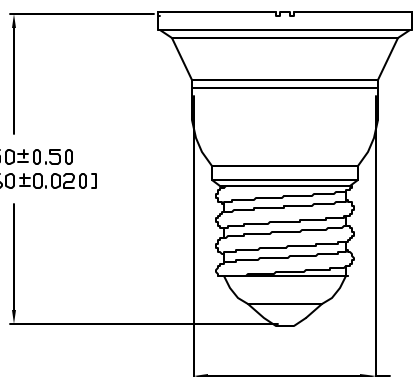
PART NUMBER  
SSP-8FE276U120

REV.

Ø50.00±0.30  
[Ø1.969±0.012]



62.50±0.50  
[2.460±0.020]



Ø36.50±0.30  
[1.437±0.012]

ELECTRO-OPTICAL CHARACTERISTICS  $T_A=25^{\circ}\text{C}$   $V_f=120\text{VAC}$

PARAMETER	MIN	TYP	MAX	UNITS
PEAK WAVELENGTH		626		nm
FORWARD VOLTAGE		120		VAC
POWER DISSIPATION		0.6		W
AXIAL INTENSITY		3.0		lm
VIEWING ANGLE		180		2x theta
OPERATING, STORAGE TEMP.	-20		+70	°C
EMITTED COLOR:	RED			
EPOXY LENS FINISH:	SURFACE DIFFUSED			

UNCONTROLLED DOCUMENT

\*UNLESS OTHERWISE SPECIFIED TOLERANCES PER DECIMAL PRECISION ARE: X=±1 (±0.039), XX=±0.5 (±0.020), XXX=±0.25 (±0.010), XXXX=±0.127 (±0.005). LEAD SIZE=±0.05 (±0.002), LEAD LENGTH=±0.75 (±0.030). MIN= <sup>+DECIMAL PRECISION</sup> <sub>-0.00</sub> MAX= <sup>+0.00</sup> <sub>-DECIMAL PRECISION</sub>

REV.

PART NUMBER

SSP-8FE276U120

CONFIDENTIAL INFORMATION

THE INFORMATION CONTAINED IN THIS DOCUMENT IS THE PROPERTY OF SUNBRITE LEDS. EXCEPT AS SPECIFICALLY AUTHORIZED IN WRITING BY SUNBRITE LEDS, THE HOLDER OF THIS DOCUMENT SHALL KEEP ALL INFORMATION CONTAINED HEREIN CONFIDENTIAL AND SHALL PROTECT SAME IN WHOLE OR IN PART FROM DISCLOSURE AND DISSEMINATION TO ALL THIRD PARTIES.

RELIABILITY NOTE

OUR MANY YEARS OF EXPERIENCE DATA ACCUMULATION INDICATE THAT SOLDER HEAT IS A MAJOR CAUSE OF EARLY AND FUTURE FAILURE. PLEASE PAY ATTENTION TO YOUR SOLDERING PROCESS.



286 E. HELEN ROAD  
PALATINE, IL 60067-6976  
PHONE: +1.847.348.3116  
FAX: +1.847.359.2867  
WEB: www.sunbriteleds.com

E27 BASED FLAT TOP, 0.6W LED LIGHT,  
626nm RED LEDS, CLEAR DIFFUSED.

DRAWN:  
CT

CHECKED:

APPROVED:

DATE: 7.21.03  
PAGE: 1 OF 1