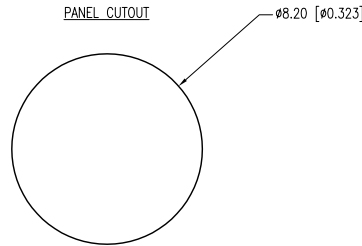
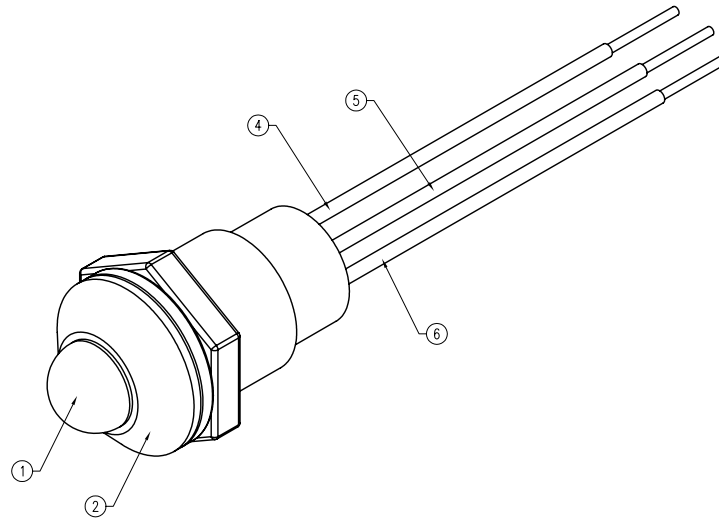
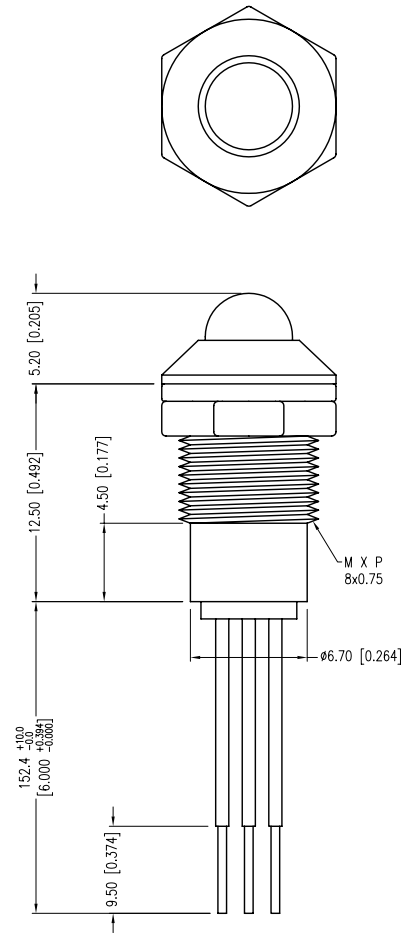


PART NUMBER	SSI-LXR3816HGW3150	REV.	B
DATE	E.C.N. NUMBER AND REVISION COMMENTS		REV.
04.25.08	E.C.N. #11500.		A
09.13.11	E.C.N. #10BRDR. & REDRAWN.		B



ELECTRO-OPTICAL CHARACTERISTICS T <sub>a</sub> =25°C If=20mA					
PARAMETER	MIN	TYP	MAX	UNITS	TEST COND
PEAK WAVELENGTH (R/G)		700/565		nm	
FORWARD VOLTAGE (R/G)		2.0/2.2	2.5/2.6	Vf	
REVERSE VOLTAGE	5.0			Vr	I <sub>r</sub> =100μA
AXIAL INTENSITY		4/15		md	I <sub>f</sub> =20mA
VIEWING ANGLE		60		2x theta	
EMITTED COLOR:	RED/GREEN				
LENS FINISH:	MILKY WHITE DIFFUSED				

LIMITS OF SAFE OPERATION AT 25°C		
PARAMETER	MAX	UNITS
PEAK FORWARD CURRENT*	150	mA
STEADY CURRENT	25	mA
POWER DISSIPATION (R/G)	120/105	mW
DERATE FROM 25°C	-1.2	mW/°C
OPERATING TEMP.	-40 TO +85	°C
STORAGE TEMP.	-40 TO +85	°C
SOLDERING TEMP.	+260	°C
2.0mm FROM BODY	3	SEC.

\* t<10μS

NOTES:

- SSL-LX5099HGW, RED/GREEN LED. TRIM LEADS TO 7mm.
- SSI-LXR3816, CHROME HOUSING.
- SSH-LX4815BSC-3, BUSHING.
- RED ANODE: LXP-WST24RDT0C, 24 AWG. TINNED OVERCOAT, RED INSULATION, CUT 160mm LONG, STRIP 3.18mm AND 9.5mm.
- COMMON CATHODE: LXP-WST24BLT0C, 24 AWG. TINNED OVERCOAT, BLACK INSULATION, CUT 160mm LONG, STRIP 3.18mm AND 9.5mm.
- GREEN ANODE: LXP-WST24GRT0C, 24 AWG. TINNED OVERCOAT, GREEN INSULATION, CUT 160mm LONG, STRIP 3.18mm AND 9.5mm.
- NO EXPOSED WIRE ALLOWED BEYOND END OF BUSHING.

\*UNLESS OTHERWISE SPECIFIED TOLERANCES PER DECIMAL PRECISION ARE: X=±1 (±0.039), X.X=±0.5 (±0.020), X.XX=±0.25 (±0.010), X.XXX=±0.127 (±0.005). LEAD SIZE=±0.05 (±0.002), LEAD LENGTH=±0.75 (±0.030). MIN= +DECIMAL PRECISION MAX.= +0.00 -DECIMAL PRECISION

**LUMEX**  
 Creating LED and LCD Solutions Together™  
 290 E. HELEN ROAD  
 PALATINE, IL 60067-6976  
 PHONE: +1.847.359.2790  
 FAX: +1.847.359.6538  
 WEB: WWW.LUMEX.COM

T-5mm RED/GREEN LED PANEL INDICATOR, MILKY WHITE DIFFUSED LENS, 6.0" WIRE LEADS.

\*\*THE SPECIFICATIONS MAY CHANGE AT ANY TIME WITHOUT NOTICE DUE TO NEW MATERIALS OR PRODUCT IMPROVEMENT.\*\*

CONFIDENTIAL INFORMATION  
 THE INFORMATION CONTAINED IN THIS DOCUMENT IS THE PROPERTY OF LUMEX INC. EXCEPT AS SPECIFICALLY AUTHORIZED IN WRITING BY LUMEX INC., THE HOLDER OF THIS DOCUMENT SHALL KEEP ALL INFORMATION CONTAINED HEREIN CONFIDENTIAL AND SHALL PROTECT SAME IN WHOLE OR IN PART FROM DISCLOSURE AND DISSEMINATION TO ALL THIRD PARTIES.

DATE:	09.13.11	DRAWN BY:	AB
PAGE:	1 OF 1	CHKD BY:	KF
SCALE:	NTS	APRVD BY:	KF
UNIT:	mm [INCH]		Ⓟ