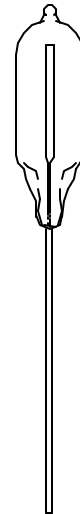
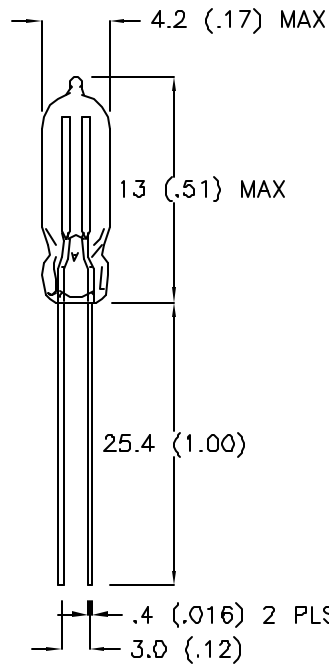


UNCONTROLLED DOCUMENT

PART NUMBER  
GT-RLSA80DSS

REV.  
A

REV.	E.C.N. NUMBER AND REVISION COMMENTS	DATE
A	E.C.N. #11148.	12.19.06



ELECTRICAL SPECIFICATIONS

D.C. FIRING VOLTAGE (dv/dt<100us):	80±10V
IMPULSE FIRING VOLTAGE (dv/dt=5kv/us):	800VDC
PEAK IMPULSE CURRENT (8/20us FORM):	1.0KA
IMPULSE SURGE LIFE (8/20us 500A):	1000 TIMES MIN.
D.C. HOLDOVER VOLTAGE:	50VDC
A.C. DISCHARGE CURRENT (1s X 5):	1 AMP
A.C. FOLLOW-ON CURRENT:	1 AMP
INSULATION RESISTANCE (50VDC MIN.):	10 <sup>10</sup> Ω
INTER-ELECTRODE CAPACITANCE:	.5PF MAX.

ENVIRONMENTAL TESTING

THERMAL SHOCK:	MIL-STD-202 METHOD 107 TEST COND B
HUMIDITY:	MIL-STD-202 METHOD 103B TEST COND B
TEMP CYCLING:	MIL-STD-202 METHOD 102A TEST COND C
OPERATING TEMP.:	-40°C TO +100°C



UNCONTROLLED DOCUMENT

\*UNLESS OTHERWISE SPECIFIED TOLERANCES PER DECIMAL PRECISION ARE: X=±1 (±0.038), XX=±0.5 (±0.020), XXX=±0.25 (±0.010), XXXX=±0.127 (±0.005). LEAD SIZE=±0.05 (±0.002), LEAD LENGTH=±0.75 (±0.030). MIN= +DECIMAL PRECISION -0.00, MAX= +0.00 -DECIMAL PRECISION

REV. PART NUMBER  
A GT-RLSA80DSS

LIGHT DUTY RADIAL LEAD ARRESTOR.

**CONFIDENTIAL INFORMATION**  
THE INFORMATION CONTAINED IN THIS DOCUMENT IS THE PROPERTY OF LUMEX INC. EXCEPT AS SPECIFICALLY AUTHORIZED IN WRITING BY LUMEX INC., THE HOLDER OF THIS DOCUMENT SHALL KEEP ALL INFORMATION CONTAINED HEREIN CONFIDENTIAL AND SHALL PROTECT SAME IN WHOLE OR IN PART FROM DISCLOSURE AND DISSEMINATION TO ALL THIRD PARTIES.

**RELIABILITY NOTE**  
OUR MANY YEARS OF EXPERIENCE DATA ACCUMULATION INDICATE THAT SOLDER HEAT IS A MAJOR CAUSE OF EARLY AND FUTURE FAILURE. PLEASE PAY ATTENTION TO YOUR SOLDERING PROCESS.



290 E. HELEN ROAD  
PALATINE, IL 60067-6976  
PHONE: +1.847.359.2790  
US WEB: www.lumex.com  
TW WEB: www.lumex.com.tw

DRAWN BY: CHECKED BY: APPROVED BY: DATE: 12.19.06  
PAGE: 1 OF 1  
SCALE: N/A

jc