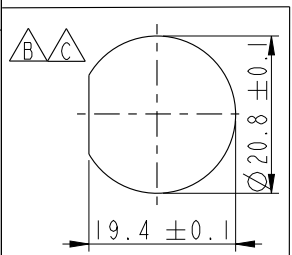
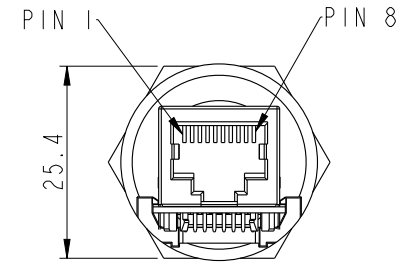
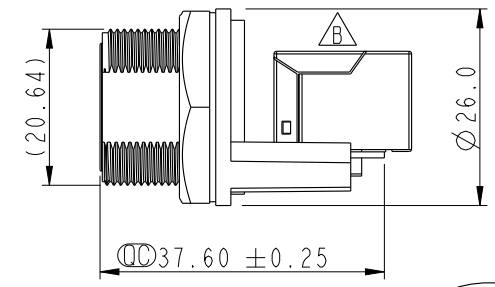
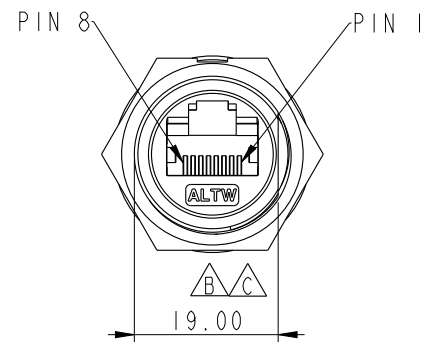
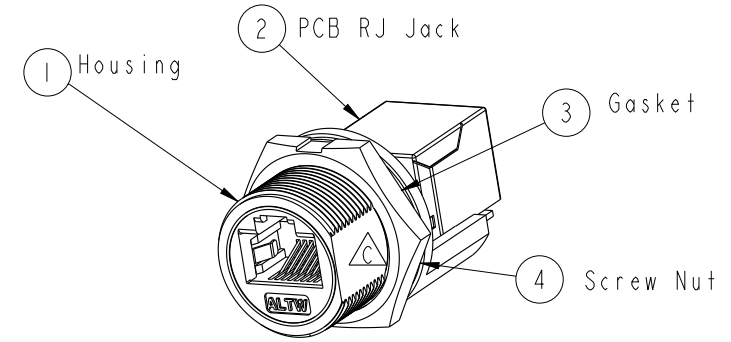
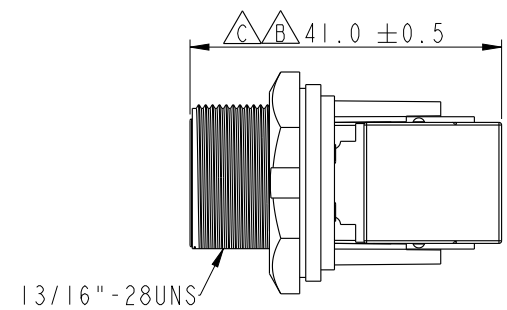


THIS DOCUMENT IS SUBJECT TO CHANGE WITHOUT NOTICE. IT IS CONFIDENTIAL AND A PROPERTY OF AMPHENOL LTW. DISCLOSURE TO THIRD PARTY HAS TO BE AUTHORIZED BY AMPHENOL LTW.

| REV. | ECN NO. | DATE | SIGN | DESCRIPTION |
|------|------------|------------|--------|---------------------------------|
| B | LE313A0297 | 2013-09-07 | Raison | Modify Jack, Note. Change H Cut |
| C | LENI440106 | 2014-04-10 | Tom_gu | Change H Cut To D Cut |



Recommended Panel Cut-out Rear View

ALTW
 CONFIDENTIAL
 2014-04-10
 R&D DEPT.

ALTW
 DCC. DEPT.
 CONFIDENTIAL
 2014.04.21
 ISSUED

Note:

- * \varnothing Important Dimension
- * Waterproof Rate : IP67 Unmated
- * Housing : Nylon+GF, UL 94V-0, BLACK
- * Screw Nut : Nylon+GF, BLACK
- $\triangle B$ * Gasket : Silicone, UL 94V-0, Gray.
- * PCB: FR-4
- * Jack : PBT Polyester UL 94V-0
- $\triangle B$ * Use without Waterproof cap or Dust cap
For Panel Thickness Max: 4.2mm
- * Use with Waterproof cap or Dust cap
For Panel Thickness Max: 3.0mm
- $\triangle B$ * Screw torsion value range: 8~12kgf-cm

| | | | | | | | | | |
|------------|--|--------------------------|---------|---------------------------------|--------------------|-------------|------------|------------|--|
| UNIT: mm | | TITLE | | ITEM NO | | DRAWN BY | | DATE | |
| | | RJ45, C SIZE, WATERPROOF | | RCP-5SPFFH-SCU7001 | | Tom_gu | | 2014-04-10 | |
| TOLERANCE | | SCALE | SIZE | SHEET | DWG NO | CHECKED BY | DATE | | |
| .X ±0.25 | | 1:1 | A4 | 1 OF 1 | RCP-5SPFFH-SCU7001 | Tony | 2014-04-10 | | |
| .XX ±0.1 | | REV. | WC-REV. | | CUSTOMER | APPROVED BY | DATE | | |
| .XXX ±0.05 | | C | C.2 | \varnothing : Inspection item | ALTW | Victor | 2014-04-10 | | |
| ANGLES ±1° | | | | | | | | | |

Amphenol LTW
 安費諾亮泰企業股份有限公司