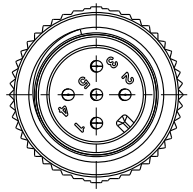
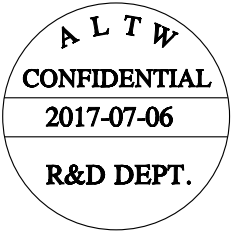
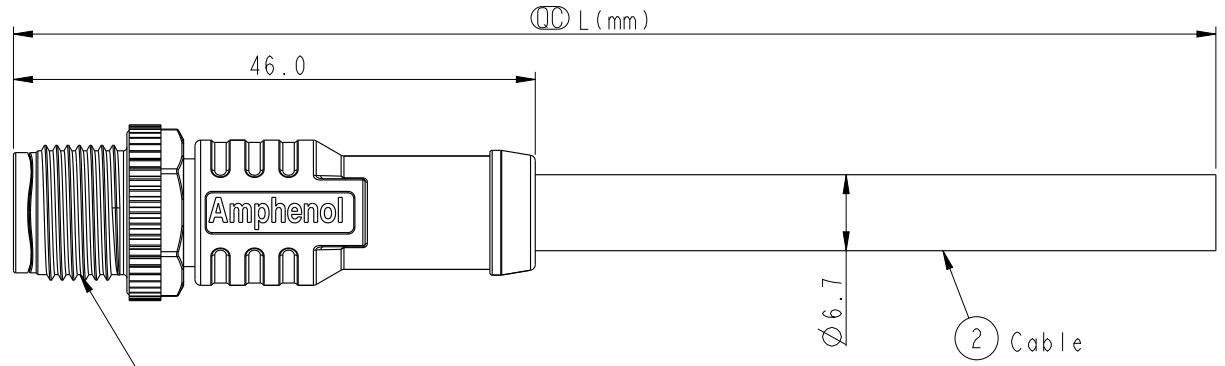


THIS DOCUMENT IS SUBJECT TO CHANGE WITHOUT NOTICE. IT IS CONFIDENTIAL AND A PROPERTY OF Amphenol LTW. DISCLOSURE TO THIRD PARTY HAS TO BE AUTHORIZED BY Amphenol LTW.

REV.	ECN NO.	DATE	SIGN	DESCRIPTION
A	Initial Release	2017-03-15	Frank Deng	Change Rev.01 To Rev.A
B	LEN1770174	2017-07-03	Frank Deng	Change Note



Conn.



① HPC-05BMMM-SL8000

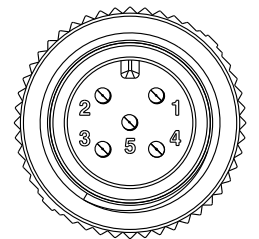


HPC-05BMMM-SL8AXX

XX: 01~99Meters  
 01: 01Meter  
 02: 02Meters  
 :  
 99: 99Meters

Cable Length(L): 01~99Meters

- Note:**
- \*  $\text{Ⓞ}$  Important Dimension To Check.
  - \* Waterproof Rate: IP68  
In 1 meter water within 24 hours
  - \* Connector: PU, Black
  - \* Nut: Nylon, Black
  - \* M Pin: Copper Alloy, Gold Plated 30u"
  - \* Outer Mold: PU, Blue
  - \* Cable: CL2, (24#\*IP+A/M)+(22#\*IP+A/M)+D+B, PVC UV Cable, OD=6.7mm, Black
  - \* Cable Length Tolerance: 01M:±40mm  
02M~05M:±60mm  
06M~10M:±100mm  
11M~30M:±200mm  
31M~99M:±500mm



Conn.  
Pin Assignments  
Front View

5	Blue 藍	24#	Twist
4	White 白	24#	
3	Black 黑	22#	Twist
2	Red 紅	22#	
1	Drain 地線	22#	
Conn.	Wire Color		
	Pin Out		

UNIT:mm		
TOLERANCE		
±0.5mm		

TITLE NMEA 2000 SINGLE ENDED CABLE MICRO-C, M CONN M PIN, PLASTIC			
SCALE 3:2	SIZE A4	SHEET 1 OF 1	
REV. B	WC-REV. A.2	$\text{Ⓞ}$ : Inspection item	

**Amphenol LTW**  
安費諾亮泰企業股份有限公司

ITEM NO	DRAWN BY Frank Deng	DATE 2017-07-06
DWG NO HPC-05BMMM-SL8AXX	CHECKED BY Fisher Wang	DATE 2017-07-06
CUSTOMER ALTW	APPROVED BY Kevin Hu	DATE 2017-07-06