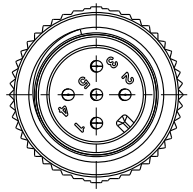


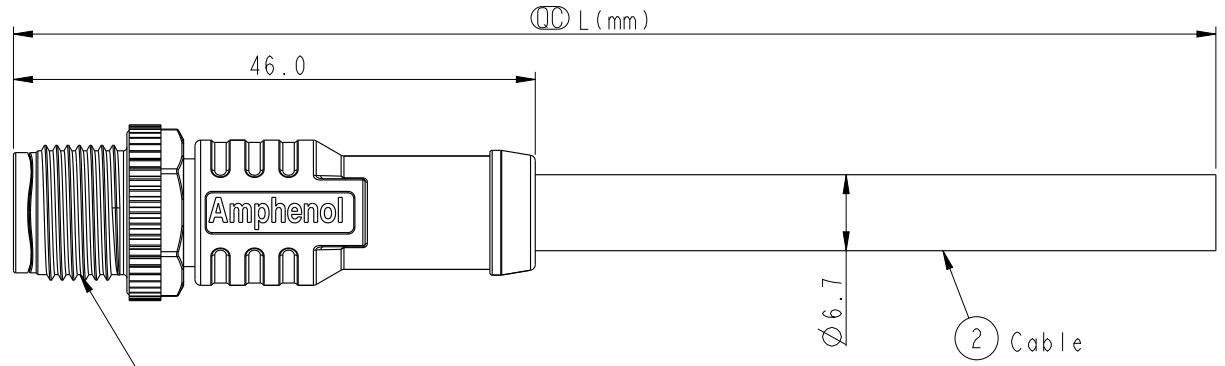
THIS DOCUMENT IS SUBJECT TO CHANGE WITHOUT NOTICE. IT IS CONFIDENTIAL AND A PROPERTY OF Amphenol LTW. DISCLOSURE TO THIRD PARTY HAS TO BE AUTHORIZED BY Amphenol LTW.

REV.	ECN NO.	DATE	SIGN	DESCRIPTION
A	Initial Release	2017-03-15	Frank Deng	Change Rev.01 To Rev.A
B	LEN1770174	2017-07-03	Frank Deng	Change Note

ALTW
CONFIDENTIAL
 2017-07-06
R&D DEPT.



Conn.

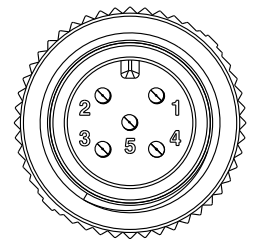


① HPC-05BMMM-SL8000

ALTW
 DCC. DEPT.
 CONFIDENTIAL
 2017.07.25
ISSUED

HPC-05BMMM-SL8AXX
 T
 XX: 01~99Meters
 01: 01Meter
 02: 02Meters
 :
 99: 99Meters
 Cable Length(L): 01~99Meters

- Note:**
- * Ⓞ Important Dimension To Check.
 - * Waterproof Rate: IP68
 In 1 meter water within 24 hours
 - * Connector: PU, Black
 - * Nut: Nylon, Black
 - * M Pin: Copper Alloy, Gold Plated 30u"
 - * Outer Mold: PU, Blue
 - * Cable: CL2, (24#*IP+A/M)+(22#*IP+A/M)+
 D+B, PVC UV Cable, OD=6.7mm, Black
 - * Cable Length Tolerance: 01M:±40mm
 02M~05M:±60mm
 06M~10M:±100mm
 11M~30M:±200mm
 31M~99M:±500mm



Conn.
 Pin Assignments
 Front View

5	Blue 藍	24#	Twist
4	White 白	24#	
3	Black 黑	22#	Twist
2	Red 紅	22#	
1	Drain 地線	22#	
Conn.	Wire Color		
	Pin Out		

UNIT:mm
 TOLERANCE
 ±0.5mm

TITLE			
NMEA 2000 SINGLE ENDED CABLE MICRO-C, M CONN M PIN, PLASTIC			
SCALE	SIZE	SHEET	OF
3:2	A4	1	1
REV.	WC-REV.	Ⓞ : Inspection item	
B	A.2		

Amphenol LTW
 安費諾亮泰企業股份有限公司

ITEM NO.	DRAWN BY	DATE
	Frank Deng	2017-07-06
DWG NO.	CHECKED BY	DATE
HPC-05BMMM-SL8AXX	Fisher Wang	2017-07-06
CUSTOMER	APPROVED BY	DATE
ALTW	Kevin Hu	2017-07-06