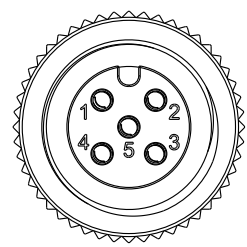
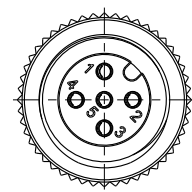


THIS DOCUMENT IS SUBJECT TO CHANGE WITHOUT NOTICE. IT IS CONFIDENTIAL AND A PROPERTY OF AMPHENOL LTW. DISCLOSURE TO THIRD PARTY HAS TO BE AUTHORIZED BY AMPHENOL LTW.

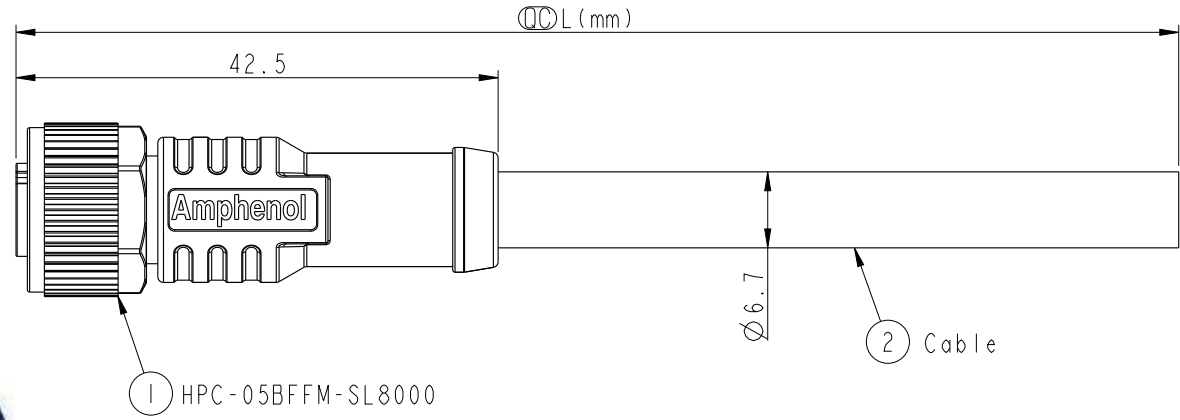
REV.	ECN NO.	DATE	SIGN	DESCRIPTION
A	Initial Release	2017-03-16	Frank Deng	Change Rev.01 To Rev.A
B	LEN1770176	2017-07-03	Frank Deng	Change Note



Conn.
Pin Assignments
Front View

Conn.	Wire Color	Pin Out
5	Blue 藍	24#
4	White 白	24#
3	Black 黑	22#
2	Red 紅	22#
1	Drain 地線	22#

Twist
Twist



HPC-05BFFM-SL8AXX

XX: 01~99Meters
 01: 01Meter
 02: 02Meters
 ...
 99: 99Meters
 Cable Length(L): 01~99Meters

- Note:**
- * \varnothing Important Dimension To Check.
 - * Waterproof Rate: IP68
 In 1 meter water within 24 hours
 - * Connector: PU, Black
 - * Nut: Nylon, Black
 - * F Pin: Copper Alloy, Gold Plated 30u"
 - * Outer Mold: PU, Blue
 - * Cable: CL2, (24#*IP+A/M)+(22#*IP+A/M)+
 D+B,PVC UV Cable, OD=6.7mm, Black
 - * Cable Length Tolerance: 01M:±40mm
 02M~05M:±60mm
 06M~10M:±100mm
 11M~30M:±200mm
 31M~99M:±500mm

UNIT:mm
 TOLERANCE
 ±0.5mm

TITLE NMEA 2000 SINGLE ENDED CABLE MICRO-C, F CONN F PIN, PLASTIC			
SCALE Free	SIZE A4	SHEET 1 OF 1	
REV. B	WC-REV. A.1	\varnothing : Inspection item	

Amphenol LTW
 安費諾亮泰企業股份有限公司

ITEM NO	DRAWN BY Frank Deng	DATE 2017-07-06
DWG NO HPC-05BFFM-SL8AXX	CHECKED BY Fisher Wang	DATE 2017-07-06
CUSTOMER ALTW	APPROVED BY Kevin Hu	DATE 2017-07-06