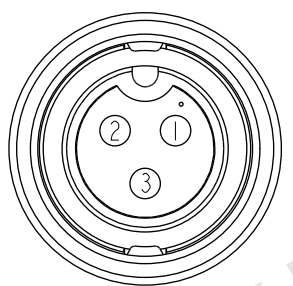
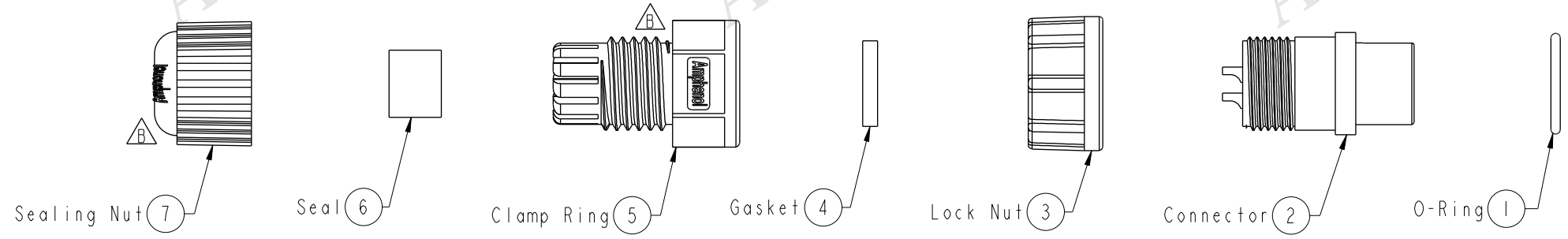


THIS DOCUMENT IS SUBJECT TO CHANGE WITHOUT NOTICE. IT IS CONFIDENTIAL AND A PROPERTY OF Amphenol LTW. DISCLOSURE TO THIRD PARTY HAS TO BE AUTHORIZED BY Amphenol LTW.

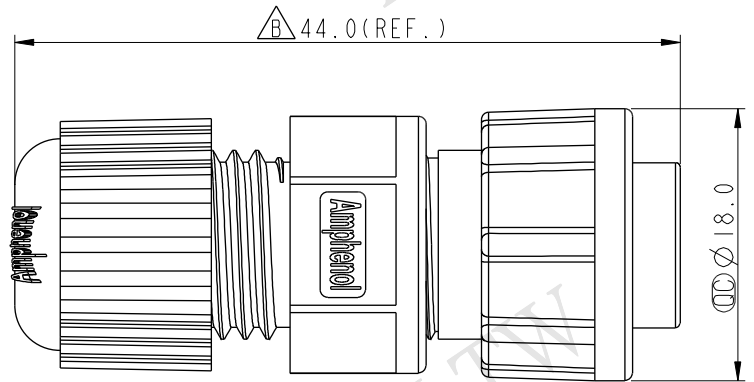
| REV. | ECN NO. | DATE | SIGN | DESCRIPTION |
|------|------------|------------|-------|-------------------------|
| B | LEN14C0029 | 2014/11/20 | Vicky | Update Logo & Dimension |

ALTW
CONFIDENTIAL
2014-11-20
R&D DEPT.

ALTW
DCC. DEPT.
CONFIDENTIAL
2014.12.03
ISSUED



Pin Assignments
Front View



- Note:
- * QC Important Dimension To Check.
 - * Waterproof Rate: IP67
 - * Housing: Nylon+GF, Black
 - * Male Pin: Copper Alloy, Gold Plated
 - * O-Ring: EPDM, Black
 - * Lock Nut: Nylon+GF, Black
 - * Gasket: EPDM, Black
 - * Clamp Ring: Nylon, Black
 - * Seal: EPDM, Black
 - * Sealing Nut: Nylon, Black
 - * Seal For Cable OD: $\varnothing 4.5\text{mm} \sim \varnothing 6.5\text{mm}$
(防水墊圈線徑: $\varnothing 4.5\text{mm} \sim \varnothing 6.5\text{mm}$)
 - * One Set Unassembled In One PE Bag
(每一組未組裝, 放置於一個PE袋, 並封口)

| | | |
|-----------|---------------|--|
| UNIT:mm | | |
| TOLERANCE | | |
| .X | ± 0.25 | |
| .XX | ± 0.1 | |
| .XXX | ± 0.05 | |
| ANGLES | $\pm 1^\circ$ | |

| | | | |
|--|----------------|-------------------------------|--|
| TITLE Standard Assy Lock 3P F CONN M PIN | | | |
| SCALE 5:4 | SIZE A4 | SHEET 1 OF 1 | |
| REV. B | WC-REV. A.2 | QC : Inspection item | |

Amphenol LTW
安費諾亮泰企業股份有限公司

| | | |
|------------------------------|---------------------|--------------------|
| ITEM NO. BD-03BFMA-LL7001 | DRAWN BY Vicky | DATE 2014-11-20 |
| DWG NO. BD-03BFMA-LL7001 | CHECKED BY Sam | DATE 2014-11-20 |
| CUSTOMER ALTW | APPROVED BY Rita | DATE 2014-11-20 |