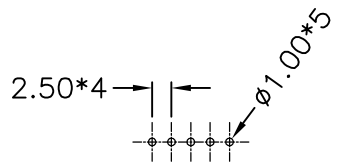
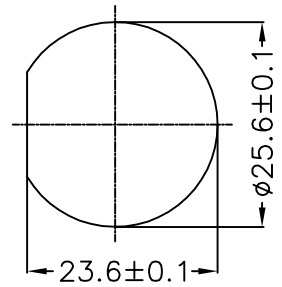


THIS DOCUMENT IS SUBJECT TO CHANGE WITHOUT NOTICE. IT IS CONFIDENTIAL AND A PROPERTY OF Amphenol LTW. DISCLOSURE TO THIRD PARTY HAS TO BE AUTHORIZED BY Amphenol LTW.

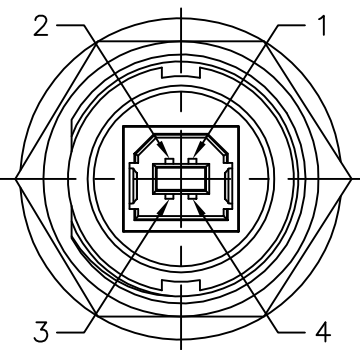
| | | | |
|------|---------|------|------|
| 5 | 6 | 7 | 8 |
| REV. | ECN NO. | DATE | SIGN |
| | | | |
| | | | |



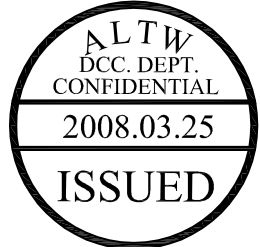
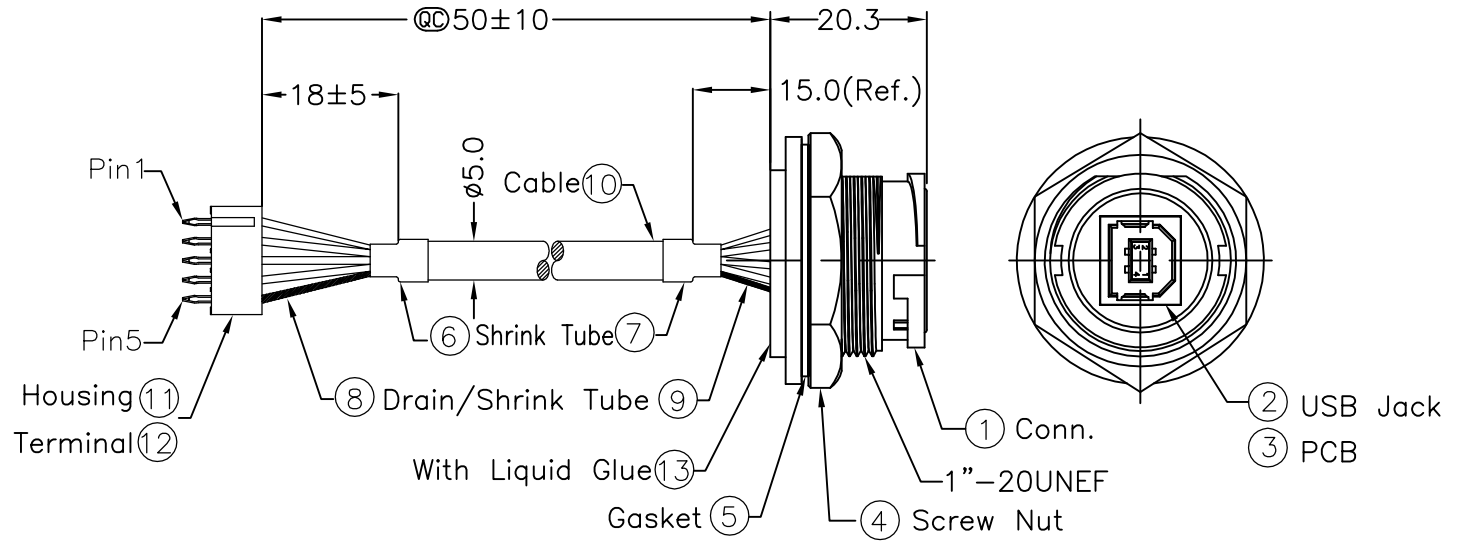
PCB Layout



Recommended Panel Cut-Out



Pin Assignments Front View



- Note:
- * \textcircled{Q} Important Dimension.
 - * Waterproof Rate: IP67
 - * Conn.: Nylon+GF,Black
 - * USB Jack: USB B,Female Dip
 - * Nut: Nylon+GF,Black
 - * Gasket: EPDM, Black
 - * Hosing: Nylon,PH=2.50mm
 - * Cable:1P*28#+2C*24#+AL+MY+D+B,OD=5.0mm
 - * Use with waterproof cap or dust cap For Panel Thickness Max: 2.8mm
 - * Use without waterproof cap or dust cap For Panel Thickness Max: 4.0mm

| | | | |
|---------|---------------|--------|-------|
| 5 | Drain 地線 | Shield | Twist |
| 4 | Black 黑 24AWG | 4 | |
| 3 | Green 綠 28AWG | 3 | |
| 2 | White 白 28AWG | 2 | |
| 1 | Red 紅 24AWG | 1 | |
| Housing | Wire Color | Conn. | |
| Pin Out | | | |

| | |
|-----------|-------|
| UNIT:mm | |
| TOLERANCE | |
| .X | ±0.25 |
| .XX | ±0.1 |
| .XXX | ±0.05 |
| ANGLES | ±1° |

| | | | |
|------------------------------------|------|--|--------|
| TITLE | | USB With Harness Panel Lock M Conn F Pin | |
| SCALE | Free | SHEET | 1 OF 1 |
| REV. | A | SIZE | A4 |
| \textcircled{Q} :Inspection Item | | | |

Amphenol LTW
安費諾亮泰企業股份有限公司

| | |
|----------|------------------|
| ITEM NO | UB-20PMFP-LC7002 |
| DWG NO | UB-20PMFP-LC7002 |
| CUSTOMER | ALTW |

| | |
|-------------|-------|
| DRAWN BY | Chen |
| CHECKED BY | Jill |
| APPROVED BY | Kevin |

| | |
|------|------------|
| DATE | 2008/03/24 |
| DATE | 2008/03/24 |
| DATE | 2008/03/24 |