

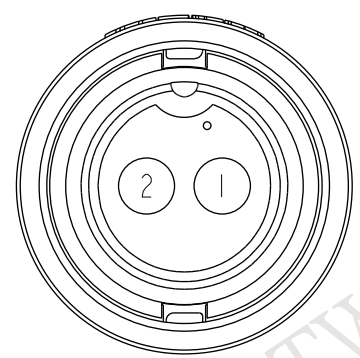
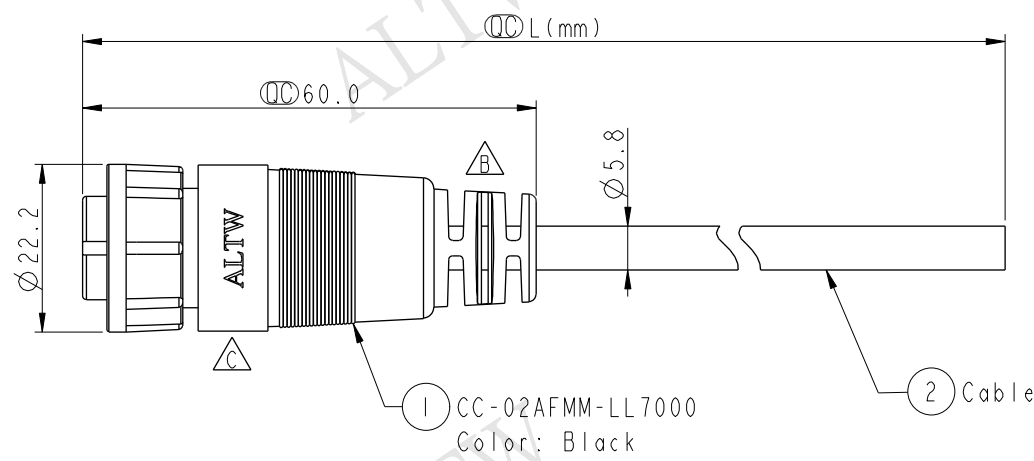
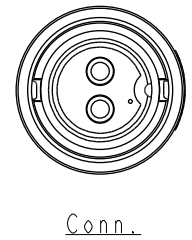
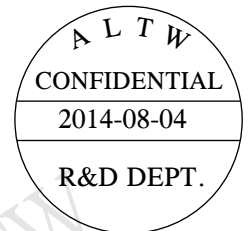
THIS DOCUMENT IS SUBJECT TO CHANGE WITHOUT NOTICE. IT IS CONFIDENTIAL AND A PROPERTY OF AMPHENOL LTW. DISCLOSURE TO THIRD PARTY HAS TO BE AUTHORIZED BY AMPHENOL LTW.

REV.	ECN NO.	DATE	SIGN	DESCRIPTION
B	LEN-9A0011~014	2009/04/14	Li Xiu Zhi	Change SR View & Update Note
C	LEN1480175~178	2014/08/04	Vicky	Update Logo

ALTW

ALTW

ALTW



Pin Assignments  
Front View

2	Red	紅
1	Black	黑
Conn.	Wire Color	
Pin Out		

CC-02AFMM-LL7AXX

XX : 01~99Meters  
01 : 01Meter  
02 : 02Meters  
:  
:  
99 : 99Meters

Cable Length(L): 01~99Meters

- △ Note:
- \* ⌀ Important Dimension To Check
  - \* Waterproof Rate: IP67
  - \* Housing: Nylon+GF, Black
  - \* Male Pin: Copper Alloy, Gold Plated
  - \* Lock Nut: Nylon+GF, Black
  - \* O-Ring: EPDM, Black
  - \* Cable: UL2464 16AWG\*2C+Talc, Black, PVC Jacket, UV Resistant, OD=5.8
  - \* Cable Length Tolerance:
    - 01M: ±40mm
    - 02M~05M: ±60mm
    - 06M~10M: ±100mm
    - 11M~30M: ±200mm
    - 31M~99M: ±500mm

UNIT:mm	
TOLERANCE	±0.5 mm

TITLE Middle Cable Lock 2Pin F Conn M Pin			
SCALE 1:1	SIZE A4	SHEET 1 OF 1	
REV. C	WC-REV. A.1	QC: Inspection item	

**Amphenol LTW**  
安費諾亮泰企業股份有限公司

ITEM NO	DRAWN BY Vicky	DATE 2014-08-04
DWG NO CC-02AFMM-LL7AXX	CHECKED BY Sam	DATE 2014-08-04
CUSTOMER ALTW	APPROVED BY Rita	DATE 2014-08-04