

**NEMA Type 2, 4, 6 & 6P**  
**EN 60529 Degree of Protection IP68**  
**Meets IEC 60601-2-2**

***Driptight • Dusttight • Watertight***  
**HIGH IMPACT LOW PROFILE OMNI-DIRECTIONAL DESIGN**

**Materials of Construction:**

- Actuation from any direction with moderate pressure
- The cover and base is molded in a high impact polymeric compound
- Base includes mounting provisions

**Features & Benefits:**

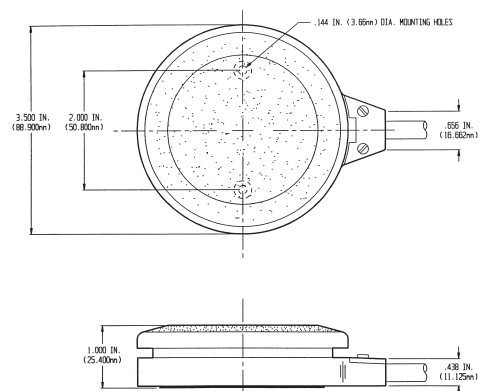
- Low profile to aide in elimination of fatigue
- A nonskid base pad
- Wired normally open, no ground

**Options:**

- Stainless Steel Weight Plate Available
- Custom Cable Available
- Available in RED in Production Quantities



**WARNING** INTENDED FOR INDOOR USE PRIMARILY TO PROVIDE A DEGREE OF PROTECTION AGAINST THE ENTRY OF WATER DURING OCCASIONAL TEMPORARY SUBMERSION AT A LIMITED DEPTH.



Size (HxWxD):	1.00 x 3.50 x 4.13 In.
Weight:	9.00 oz.

<b>WARNING SEE PRODUCT WARNING ON PAGE 8</b>						
SPECIFICATIONS (Special variations are available to the O.E.M. on special order on the models listed below)						
AGENCY APPROVALS	EN 60529 Degree of Protection	CATALOG NUMBER	DESCRIPTION	CIRCUIT	FORM	ELECTRICAL RATINGS
cUL <sup>us</sup>	IP68	D41-SNO28 <sup>1</sup>	Momentary	SPST Wired N.O.	A	5 A Resistive 125 VAC 28 VDC 3 A General Purpose 125 VAC
<sup>1</sup> Supplied with 8 ft. 18/2 cord without plug.						