



UPC Code : 078477045886

Country Of Origin : Mexico



2670

30 Amp, 250 Volt 3-Phase, NEMA L11-30R, 3P, 3W, Flush Mtg Locking Receptacle, Industrial Grade, Non-Grounding, V-0-MAX - BLACK

Technical Information

AC Horsepower Ratings

At Rated Voltage : 2 HP L-L / 2 HP L-N

Electrical Specifications

Amperage : 30 A

Current Limiting : Full Rated Current

Dielectric Voltage : Withstands 2000V per UL498

Grounding : Non-Grounding

Phase : 3-Phase

Pole : 3

Temperature Rise : Max 30C after 250 cycles OL at 200 percent rated current

Voltage : 250 VAC

Wire : 3

Environmental Specifications

Environment : Corrosive

Flammability : Rated V-0 per UL 94

Operating Temperature : -40°C to 60°C

Material Specifications

Base Material : Valox

Body Material : Nylon

Color : Black

Cover Material : Valox 357

Face Material : Ultramid

Grounding Screw : Chromated Brass

Line Contacts : Brass .040 Thick

Strap Material : Nickel-Plated Brass

Terminal Clamps : Nickel-Plated Brass

Terminal Screws : Chromated Brass

Mechanical Specifications

Product ID : Ratings and NEMA I.D. permanently marked on device

Terminal Accom. : 14-8 AWG

Terminal ID : Marked on Device

Termination : Back & Side

Product Features

Base Material : Valox

Brand : V-0-Max

Color : Black

Device Type : Locking Receptacle

Face Material : Ultramid

NEMA : L11-30R

Standards and Certifications : UL

Standards and Certifications

ANSI : C-73

CSA : C22.2 No. 42

NEMA : WD-6

NOM : 057

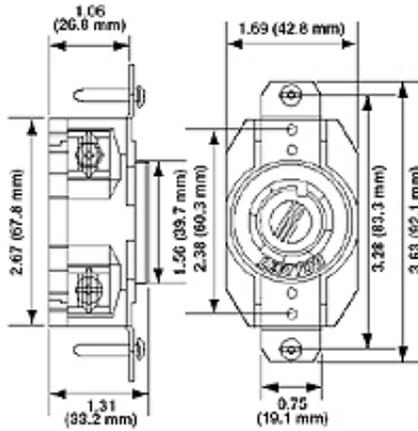
UL : 498

UL Fed Spec : W-C-596

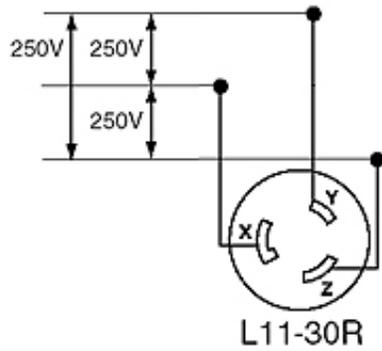
UL Fed Spec WC-596 : File E13399

Warranty : Limited Lifetime Warranty

Dimensional Diagram



Wiring Diagram



SPECIFICATION SUBMITTAL

JOB NAME: <input type="text"/>	CATALOG NUMBERS: <input type="text"/>
JOB NUMBER: <input type="text"/>	<input type="text"/>

Leviton Manufacturing Co., Inc.

201 North Service Road, Melville, NY 11747

Telephone: +1-800-323-8920 · FAX: +1-800-832-9538 · Tech Line (8:30AM-7:30PM E.S.T. Monday-Friday):

+1-800-824-3005

Leviton Manufacturing of Canada, Ltd.

165 Hymus Boulevard, Pointe Claire, Quebec H9R 1E9 · Telephone: +1-800-469-7890 ·

FAX: +1-800-824-3005 · www.leviton.com/canada

Leviton S. de R.L. de C.V.

Lago Tana 43, Mexico DF, Mexico CP 11290 · Tel.: (+52)55-5082-1040 · FAX: (+52)5386-

1797 · www.leviton.com.mx

Visit our Website at: www.leviton.com

© 2018 Leviton Manufacturing Co., Inc. All Rights Reserved. Subject to change without notice.

Leviton has a global presence.

If you would like to know where your local Leviton office is located please go to:

www.leviton.com/international/contacts/

